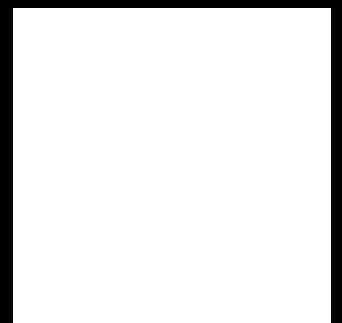
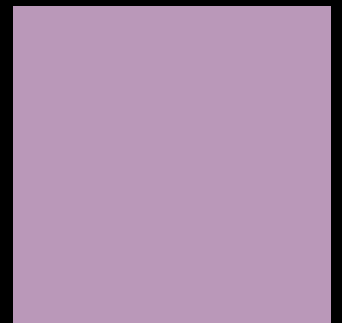
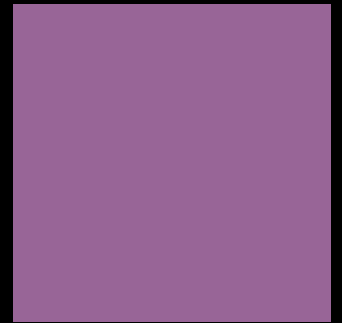




**HENRAD**

# DISCOVER VENICE E-VENTO AND VENICE E



# VENICE E-VENTO

## GENERAL INFORMATION

## VENICE E-VENTO

The Venice E-VENTO combines good looks with exceptional heating efficiency with an integrated blower unit that provides extra heat emission.

- Product:** Electric vertical flat tube-on-tube design radiator with blower
- Pre-installed:** Prefilled with heating liquid, equipped with a thermostat, a 1.000 watt blower and a 1,2 m insulated cable with plug.
- Also supplied:** Brackets, screws, plugs, manual and remote control
- Control:** Via integrated thermostat or remote control with weekly programming, open window detection and boost function.
- Packaging:** Every radiator is sturdily packaged in high-quality cardboard and wrapped in plastic. The radiator's characteristics are shown on the label: electric power – height – length.
- Warranty:** 10 years for the radiator and 2 years for the electrical components, as long as the installation instructions have been followed, Henrad's warranty conditions have been met and the radiator is installed outside the splash area.
- Paint process:** All radiators are degreased, phosphated, primed and powder-coated.
- Colours:** Traffic white or anthracite grey
- Conformity:** EcoDesign 2018 (EU Regulation 2015/1188)
- Technical data:** Voltage 230V ~50Hz, IP24, Class II
- Heights:** 1.094 | 1.422 | 1.730 mm
- Number of tubes:** 10 | 14 | 17
- Length:** 550 mm
- Depth:** 143 mm
- Output:** 1.500 | 1.700 | 2.000 W
- Tubes:** horizontal, 70 x 11 mm flat section
- Collectors:** vertical, O-section, diameter 38 mm

Height	Length	Output	Art. N°	Tubes	Colour
<b>H1094</b>	<b>L550</b>	<b>1.500 W</b>	7004D1094010550	10	Traffic white
			7004F1094010550		Anthracite grey
<b>H1422</b>	<b>L550</b>	<b>1.700 W</b>	7004D1422010550	14	Traffic white
			7004F1422010550		Anthracite grey
<b>H1730</b>	<b>L550</b>	<b>2.000 W</b>	7004D1730010550	17	Traffic white
			7004F1730010550		Anthracite grey



**ECODESIGN**  
2018 COMPLIANT



## MOUNTING AND INSTALLATION

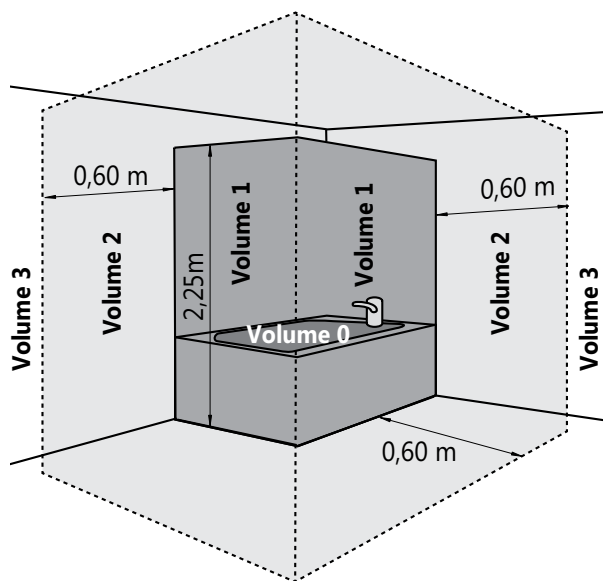
Since the Venice E-VENTO is a class II heater with an IP24 protection rating, it can be installed as such, in volume 2 or 3 of the bathroom (see figure), provided that it is shielded from water splashes and that the radiator is out reach of persons in the bath or under the shower.

Furthermore, when installed in volume 2, the radiator must additionally be shielded by means of a fixed wall.

The radiator must be installed with the heating element vertically and the electrical wire in the lower section. It is prohibited to install the device with the electrical wire in the upper section or with the heating element horizontally.

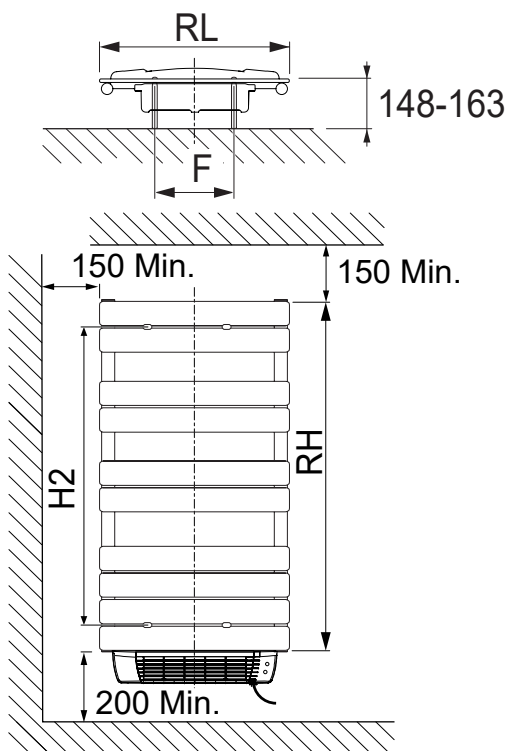
The appliance is insulated according to class II and is therefore not earthed. It needs to be powered by a single-phased current of 230V ~50 Hz.

The plug should be connected to a wall socket placed in volume 3.



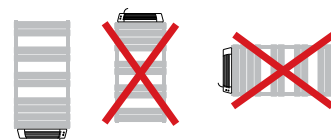
### ATTENTION:

Malfunctioning control units need to be replaced by an identical model after consulting your wholesaler. When replacing the control unit by a different model, both warranty and conformity with the safety regulations will be void. In France, the installation of electric radiators with plugs is prohibited.



RL	F
550	410

RH	H2
1094	881
1422	1205
1730	1513



[click here](#)



The assembly instructions are available on [our website](#), technical data of Venice E-VENTO or via the QR-code:

## GENERAL INFORMATION

# VENICE E

The Venice E combines good looks with exceptional heating efficiency.

- Product:** Electric vertical flat tube-on-tube design radiator
- Pre-installed:** Prefilled with heating liquid, equipped with a thermostat and a 1,2 m insulated cable with plug.
- Also supplied:** Brackets, screws, plugs and manual
- Control:** Operated via an integrated thermostat with weekly programming, open window detection, presence detection and boost function.
- Packaging:** Every radiator is sturdily packaged in high-quality cardboard and wrapped in plastic. The radiator's characteristics are shown on the label: electric power – height – length.
- Warranty:** 10 years for the radiator and 2 years for the electrical components, as long as the installation instructions have been followed, Henrad's warranty conditions have been met and the radiator is installed outside the splash area.
- Paint process:** All radiators are degreased, phosphated, primed and powder-coated.
- Colour:** Traffic white
- Conformity:** EcoDesign 2018 (EU Regulation 2015/1188)
- Technical data:** Voltage 230V ~50Hz, IP34, Class II
- Heights:** 1.090 | 1.413 mm
- Number of tubes:** 10 | 14
- Length:** 500 mm
- Depth:** 49 mm
- Output:** 500 | 700 W
- Tubes:** horizontal, 70 x 11 mm flat section
- Collectors:** vertical, O-section, diameter 38 mm

Height	Length	Output	Art. N°.	Tubes	Colour
<b>H1090</b>	<b>L500</b>	<b>500W</b>	7004B1090010500	10	Traffic white
<b>H1413</b>	<b>L500</b>	<b>700W</b>	7004B1413010500	14	



**ECODESIGN**  
2018 COMPLIANT



## MOUNTING AND INSTALLATION

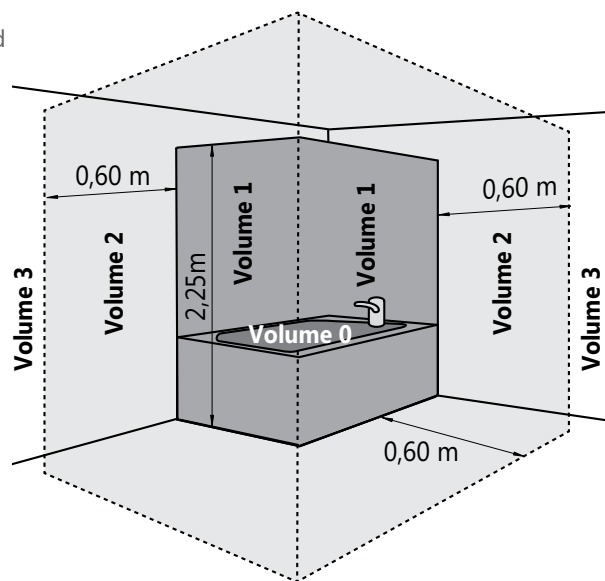
Since the Venice E is a class II heater with an IP34 protection rating, it can be installed as such, in volume 2 or 3 of the bathroom (see figure), provided that it is shielded from water splashes and that the radiator is out reach of persons in the bath or under the shower.

Furthermore, when installed in volume 2, the radiator must additionally be shielded by means of a fixed wall.

The radiator must be installed with the heating element vertically and the electrical wire in the lower section. It is prohibited to install the device with the electrical wire in the upper section or with the heating element horizontally.

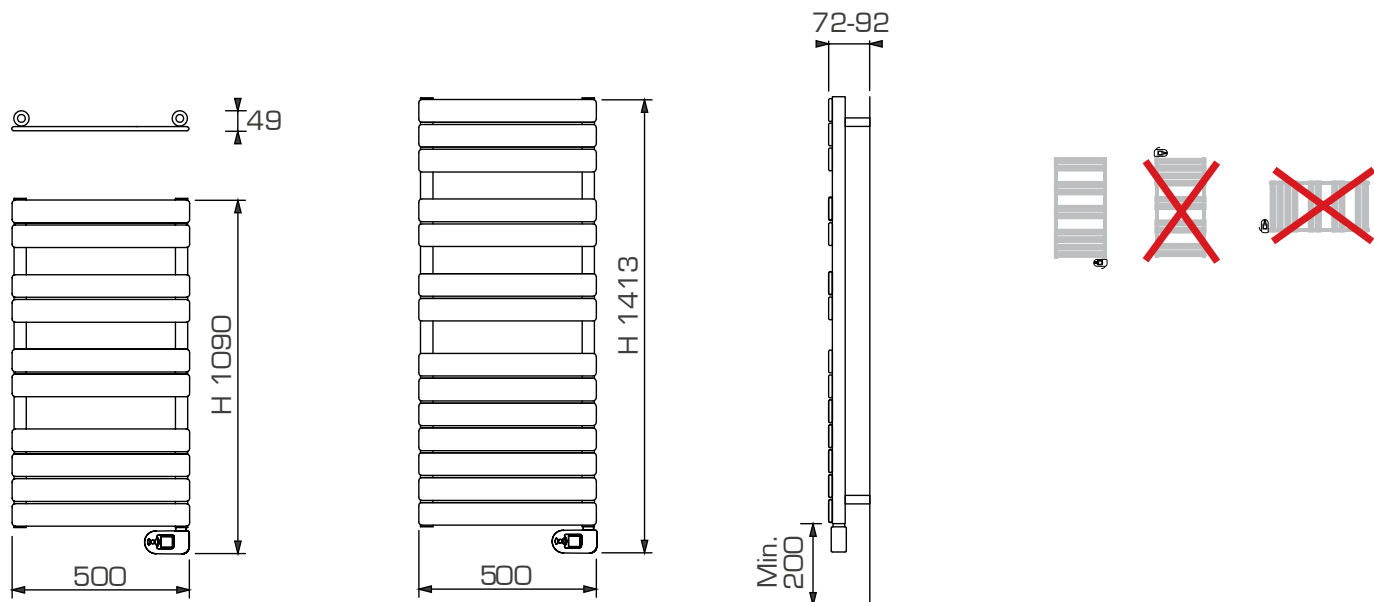
The appliance is insulated according to class II and is therefore not earthed. It needs to be powered by a single-phased current of 230V ~50 Hz.

The plug should be connected to a wall socket placed in volume 3.



### ATTENTION:

Malfunctioning control units need to be replaced by an identical model after consulting your wholesaler. When replacing the control unit by a different model, both warranty and conformity with the safety regulations will be void. In France, the installation of electric radiators with plugs is prohibited.

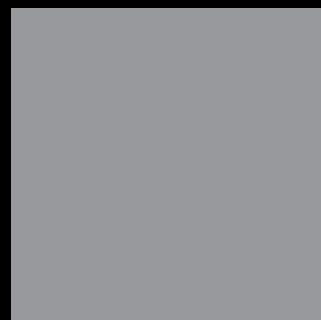


[click here](#)



The assembly instructions are available on [our website](#), technical data of Venice E or via the QR-code:

Australia • Belgium • Cyprus • Czechia • France • Germany • Greece • Iceland • Lithuania  
Luxembourg • Norway • Poland • Slovenia • Sweden • The Netherlands • Tunisia • Ukraine



## HENRAD

Henrad nv  
Welvaartstraat 14 box 6 • 2200 Herentals • Belgium

[WWW.HENRAD.EU](http://WWW.HENRAD.EU)

