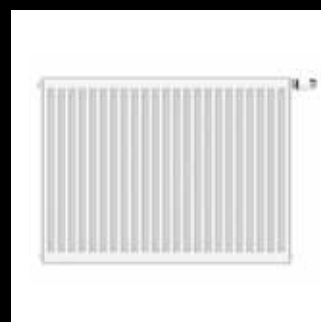


PREMIUM ALL IN



HENRAD

DISCOVER PREMIUM ALL IN



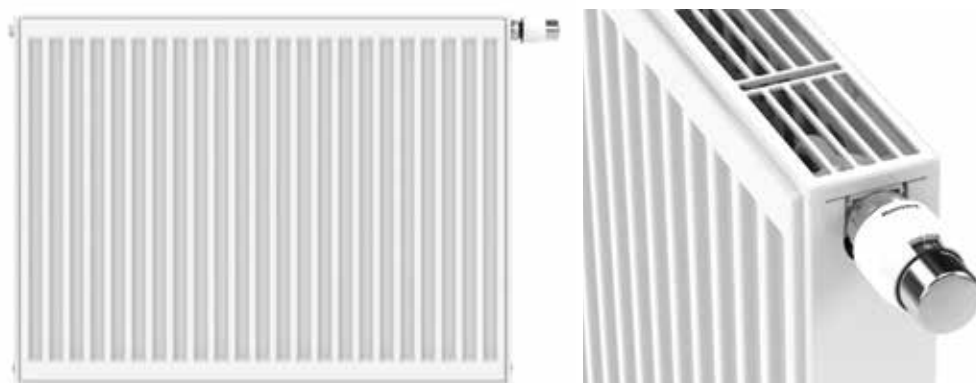
STANDARD RANGE

GENERAL INFORMATION

PREMIUM ALL IN

The Premium All In radiator is a fully encased radiator equipped with an integrated adjustable valve insert. Moreover this radiator can be connected either as a valve or as a compact radiator. This radiator comes with all parts required to mount the radiator.

Product:	the fully encased valve radiator
Finishing:	upper grille and side panels
Pre-installed:	preset Heimeier 4368 or 4369 valve insert, air vent and blind plugs
Valve insert:	The integrated adjustable valve insert (without thermostatic head) is factory-fit on the right side of the radiator, CEN certified, tested in accordance with EN215 and compatible with thermostatic heads M30 x 1,5 mm. The thermostatic valve insert is factory-set in relation to the size of the radiator. This presetting ensures optimum throughput in the radiator. Factory setting for two-pipe systems, also suitable for one-pipe systems (as long as the valve insert is adjusted to position 8).
Also supplied:	Monclac brackets with anti-lift (VDI compliant when used in combination with included anti-slide clips), screws and installation instructions
Connections:	6 x ½" female connection (2 x ½" lateral bottom connection included). Left handed version: types 21, 22 and 33 are reversible, type 11 is available on request.
Lugs:	Type 11 is equipped with 2 pairs of mounting lugs up to 1.600 mm and 3 pairs from 1.800 mm
Packaging:	Every radiator is sturdily packaged in high-quality cardboard and wrapped in plastic. The radiator's characteristics are shown on the label: type – height – length.
Warranty:	10 years, as long as the installation instructions have been followed and Henrad's warranty conditions have been met.
Paint process:	All radiators are degreased, phosphated, cataphoretically primed and powder-coated in Henrad white 9016 as standard.
Colours:	Henrad white 9016 + 35 different Henrad colours and about 200 RAL-colours are possible
Heat cost allocator:	Suitable for heat cost allocators, both electronic and according to the evaporation principle (covered by the norm of EN834 & EN835).
Max. operating pressure:	10 bar (tested to 13 bar)
Max. operating temperature:	110 °C
Conformity:	in accordance with EN442
Quality assurance:	NF
Types:	11 21 22 33
Heights:	300 400 500 600 700 900 mm
Lengths:	400 – 3.000 mm
Depths:	61 77 100 158 mm



2005

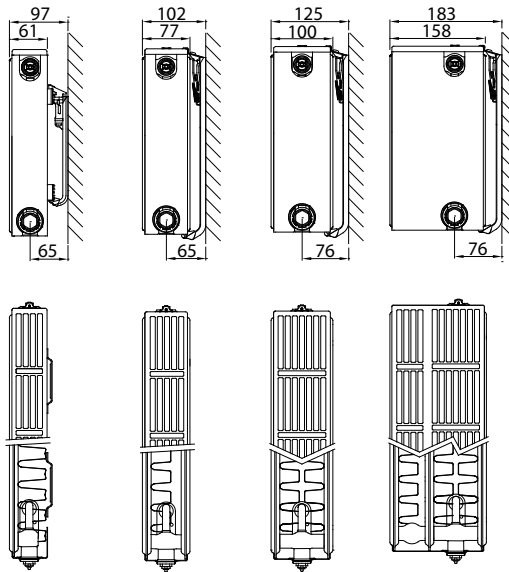
STANDARD RANGE

TYPE OVERVIEW

Calculation factor
per meter
at 75/65/20°C
according to EN442

Characteristic equation:

$$\Phi = K_M \times \Delta T^n$$



Height		T 11	T 21	T 22	T 33	Centre distance
300	W	509	745	982	1.349	250
	kg	9,31	14,29	16,80	25,20	
	l	1,89	3,70	3,70	5,40	
	m ²	2,09	2,44	3,51	5,26	
	n	1,32	1,33	1,33	1,31	
400	W	676	954	1.245	1.711	350
	kg	12,78	19,46	22,87	34,30	
	l	2,34	4,67	4,67	6,87	
	m ²	2,95	3,37	4,92	7,38	
	n	1,31	1,33	1,33	1,32	
500	W	833	1.153	1.494	2.056	450
	kg	16,24	24,63	28,93	43,40	
	l	2,80	5,63	5,63	8,33	
	m ²	3,80	4,31	6,33	9,49	
	n	1,30	1,34	1,33	1,32	
600	W	980	1.345	1.732	2.389	550
	kg	19,70	29,80	35,00	52,50	
	l	3,25	6,60	6,60	9,80	
	m ²	4,66	5,24	7,74	11,61	
	n	1,29	1,34	1,33	1,32	
700	W	1.117	1.530	1.961	2.712	650
	kg	22,90	34,50	40,53	60,77	
	l	3,77	7,63	7,63	11,37	
	m ²	5,51	6,18	9,15	13,72	
	n	1,29	1,34	1,34	1,34	
900	W	1.360	1.883	2.395	3.334	850
	kg	29,30	43,90	51,60	77,30	
	l	4,80	9,70	9,70	14,50	
	m ²	7,22	8,05	11,97	17,96	
	n	1,29	1,34	1,35	1,37	

W=heat output per meter / kg=weight per meter / l=content per meter / m²=surface per meter / n=exponent
The manufacturer reserves the right to alter any of the specifications shown in this document without prior notice.

STANDARD RANGE

PREMIUM ALL IN

HEAT OUTPUTS IN WATT ACCORDING TO EN442



EN442 (W)	70/50/20°C
EN442 (W)	55/45/20°C

Height	300			
	11	21	22	33
Type	11	21	22	33
W/m 75/65/20°C	509	745	982	1.349
400	152 104 0223031104	221 151 0221032104	292 200 0221032204	403 276 0221033304
500	189 129 0223031105	276 189 0221032105	365 249 0221032205	503 345 0221033305
600	227 155 0223031106	332 227 0221032106	438 299 0221032206	603 414 0221033306
700	265 181 0223031107	388 265 0221032107	511 349 0221032207	704 483 0221033307
800	303 207 0223031108	443 302 0221032108	585 399 0221032208	805 552 0221033308
900	341 233 0223031109	498 340 0221032109	658 449 0221032209	906 621 0221033309
1000	379 259 0223031110	554 378 0221032110	730 499 0221032210	1.006 690 0221033310
1100	417 285 0223031111	609 416 0221032111	803 548 0221032211	1.107 759 0221033311
1200	455 311 0223031112	664 453 0221032112	876 598 0221032212	1.208 828 0221033312
1400	531 363 0223031114	775 529 0221032114	1.023 698 0221032214	1.409 966 0221033314
1600		886 604 0221032116	1.169 798 0221032216	1.610 1.103 0221033316
1800		997 680 0221032118	1.315 898 0221032218	1.811 1.241 0221033318
2000		1.107 755 0221032120	1.461 997 0221032220	2.012 1.379 0221033320
2200		1.218 831 0221032122	1.607 1.097 0221032222	2.214 1.517 0221033322
2400		1.329 907 0221032124	1.753 1.197 0221032224	2.415 1.655 0221033324
2600			1.899 1.297 0221032226	
2800			2.045 1.397 0221032228	
3000			2.191 1.496 0221032230	

400				
11	21	22	33	
Type	11	21	22	33
W/m	676	954	1.245	1.711
400	201 138 0223041104	284 193 0221042104	370 253 0221042204	510 349 0221043304
500	252 173 0223041105	354 241 0221042105	462 315 0221042205	638 437 0221043305
600	303 208 0223041106	425 290 0221042106	555 379 0221042206	766 524 0221043306
700	353 242 0223041107	496 338 0221042107	648 442 0221042207	893 611 0221043307
800	404 277 0223041108	567 386 0221042108	740 505 0221042208	1.020 699 0221043308
900	454 311 0223041109	638 435 0221042109	833 568 0221042209	1.148 786 0221043309
1000	504 346 0223041110	709 483 0221042110	925 631 0221042210	1.275 873 0221043310
1100	555 381 0223041111	779 531 0221042111	1.018 695 0221042211	1.403 960 0221043311
1200	605 415 0223041112	850 580 0221042112	1.111 758 0221042212	1.530 1.048 0221043312
1400	706 484 0223041114	992 676 0221042114	1.296 884 0221042214	1.785 1.222 0221043314
1600	807 554 0223041116	1.134 773 0221042116	1.481 1.010 0221042216	2.041 1.397 0221043316
1800	908 623 0223041118	1.275 869 0221042118	1.666 1.137 0221042218	2.296 1.572 0221043318
2000	1.009 692 0223041120	1.417 966 0221042120	1.851 1.263 0221042220	2.551 1.746 0221043320
2200		1.559 1.063 0221042122	2.036 1.389 0221042222	2.806 1.921 0221043322
2400		1.701 1.159 0221042124	2.221 1.515 0221042224	3.061 2.095 0221043324
2600			2.406 1.642 0221042226	
2800			2.591 1.768 0221042228	
3000			2.776 1.894 0221042230	

500				
11	21	22	33	
Type	11	21	22	33
W/m	833	1.153	1.494	2.056
400	249 171 0223051104	342 233 0221052104	444 303 0221052204	612 419 0221053304
500	311 214 0223051105	428 291 0221052105	555 378 0221052205	766 524 0221053305
600	374 257 0223051106	514 350 0221052106	666 454 0221052206	919 629 0221053306
700	436 300 0223051107	599 408 0221052107	777 530 0221052207	1.072 733 0221053307
800	498 343 0223051108	684 466 0221052108	888 605 0221052208	1.225 838 0221053308
900	561 386 0223051109	771 525 0221052109	999 681 0221052209	1.378 943 0221053309
1000	623 428 0223051110	856 583 0221052110	1.110 757 0221052210	1.531 1.047 0221053310
1100	685 471 0223051111	941 641 0221052111	1.221 832 0221052211	1.685 1.152 0221053311
1200	748 514 0223051112	1.027 700 0221052112	1.332 908 0221052212	1.838 1.257 0221053312
1400	872 600 0223051114	1.198 816 0221052114	1.554 1.059 0221052214	2.144 1.466 0221053314
1600	997 686 0223051116	1.370 933 0221052116	1.776 1.210 0221052216	2.451 1.676 0221053316
1800	1.121 771 0223051118	1.540 1.049 0221052118	1.998 1.362 0221052218	2.757 1.886 0221053318
2000	1.246 857 0223051120	1.712 1.166 0221052120	2.220 1.513 0221052220	3.063 2.095 0221053320
2200	1.371 943 0223051122	1.883 1.283 0221052122	2.442 1.665 0221052222	3.369 2.304 0221053322
2400	1.495 1.028 0223051124	2.054 1.399 0221052124	2.664 1.816 0221052224	3.675 2.514 0221053324
2600			2.885 1.967 0221052226	
2800			3.108 2.118 0221052228	
3000			3.330 2.270 0221052230	

HENRAD NV/PL19/0226/E015

Core assortment (Henrad white 9016) available ex factory within 10 days.
Core assortment is subject to change, please refer to www.henrad.eu for the latest information.
Delivery time depends on the model, please refer to your distributor.

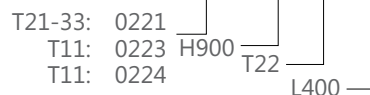
PREMIUM ALL IN

HEAT OUTPUTS IN WATT ACCORDING TO EN442

On the label:
6-CONNECTIONS

6-CONNECTIONS L (Left)

Art. 0221 09 22 04



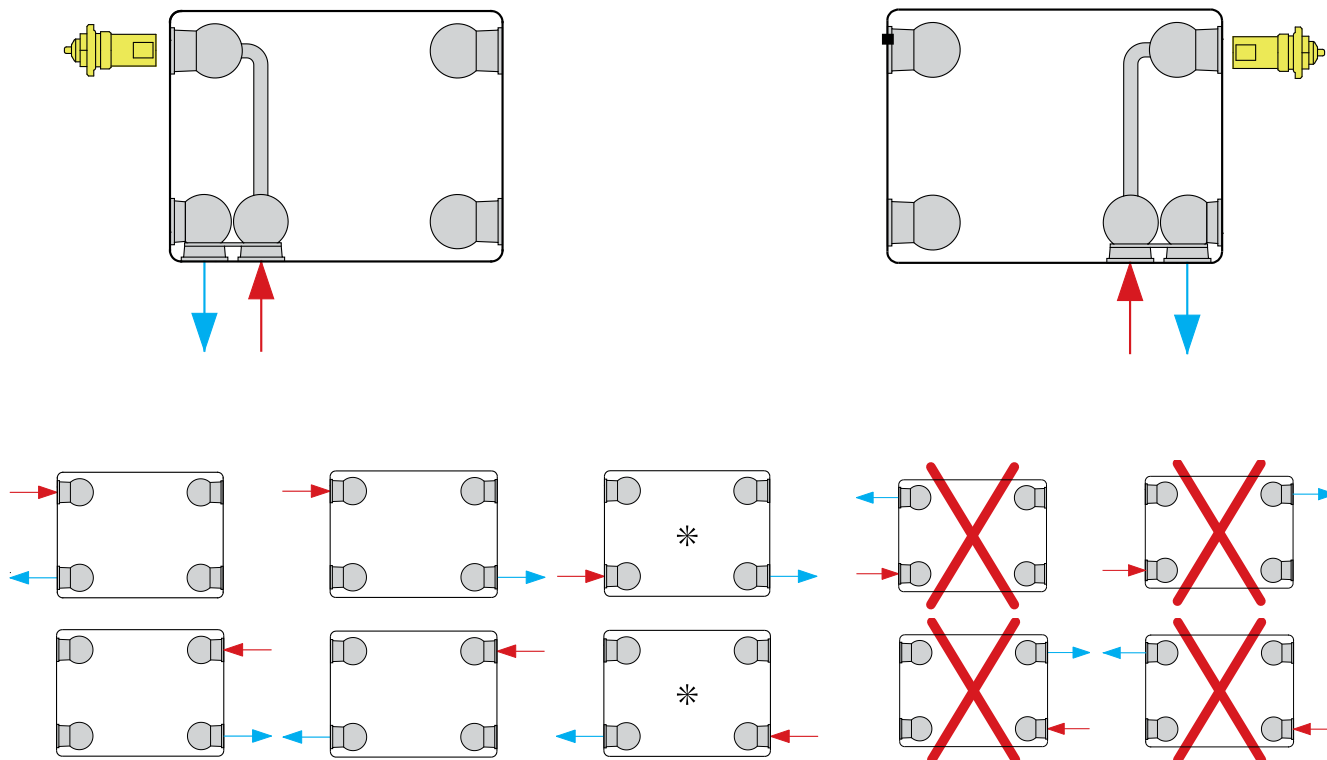
HENRAD NV/PL19/0226/E015

Height	600			
	11	21	22	33
W/m 75/65/20°C	980	1.345	1.732	2.389
400	294 203 0223061104	399 272 0221062104	515 350 0221062204	712 486 0221063304
500	367 253 0223061105	499 339 0221062105	643 438 0221062205	889 607 0221063305
600	441 304 0223061106	599 407 0221062106	771 525 0221062206	1.067 729 0221063306
700	514 355 0223061107	699 476 0221062107	900 613 0221062207	1.244 850 0221063307
800	588 405 0223061108	798 543 0221062108	1.029 701 0221062208	1.422 972 0221063308
900	661 456 0223061109	898 611 0221062109	1.157 788 0221062209	1.600 1.094 0221063309
1000	735 507 0223061110	998 679 0221062110	1.286 876 0221062210	1.778 1.215 0221063310
1100	808 557 0223061111	1.098 747 0221062111	1.414 963 0221062211	1.956 1.337 0221063311
1200	881 608 0223061112	1.197 815 0221062112	1.543 1.051 0221062212	2.134 1.458 0221063312
1400	1.028 709 0223061114	1.397 951 0221062114	1.800 1.226 0221062214	2.490 1.701 0221063314
1600	1.175 810 0223061116	1.596 1.086 0221062116	2.057 1.401 0221062216	2.845 1.944 0221063316
1800	1.322 912 0223061118	1.796 1.222 0221062118	2.315 1.577 0221062218	3.200 2.187 0221063318
2000	1.469 1.013 0223061120	1.996 1.358 0221062120	2.572 1.752 0221062220	3.556 2.430 0221063320
2200	1.616 1.114 0223061122	2.195 1.494 0221062122	2.829 1.927 0221062222	3.912 2.673 0221063322
2400	1.763 1.216 0223061124	2.395 1.630 0221062124	3.086 2.102 0221062224	4.268 2.917 0221063324
2600			3.343 2.277 0221062226	
2800			3.601 2.453 0221062228	
3000			3.858 2.628 0221062230	

700			
11	21	22	33
1.117	1.530	1.961	2.712
335 231 0223071104	454 309 0221072104	582 396 0221072204	805 547 0221073304
418 288 0223071105	568 386 0221072105	727 495 0221072205	1.006 684 0221073305
502 346 0223071106	681 463 0221072106	873 594 0221072206	1.207 821 0221073306
586 404 0223071107	795 541 0221072107	1.018 693 0221072207	1.408 958 0221073307
670 462 0223071108	908 618 0221072108	1.164 792 0221072208	1.609 1.095 0221073308
753 519 0223071109	1.022 695 0221072109	1.309 891 0221072209	1.810 1.232 0221073309
837 577 0223071110	1.135 772 0221072110	1.455 990 0221072210	2.011 1.368 0221073310
921 635 0223071111	1.249 850 0221072111	1.600 1.089 0221072211	2.212 1.505 0221073311
1.004 693 0223071112	1.362 927 0221072112	1.745 1.188 0221072212	2.413 1.642 0221073312
1.172 808 0223071114	1.589 1.081 0221072114	2.036 1.385 0221072214	2.816 1.916 0221073314
1.339 924 0223071116	1.816 1.236 0221072116	2.328 1.584 0221072216	3.218 2.189 0221073316
1.507 1.039 0223071118	2.043 1.390 0221072118	2.619 1.782 0221072218	3.621 2.463 0221073318
1.674 1.155 0223071120	2.270 1.545 0221072120	2.909 1.980 0221072220	4.023 2.737 0221073320

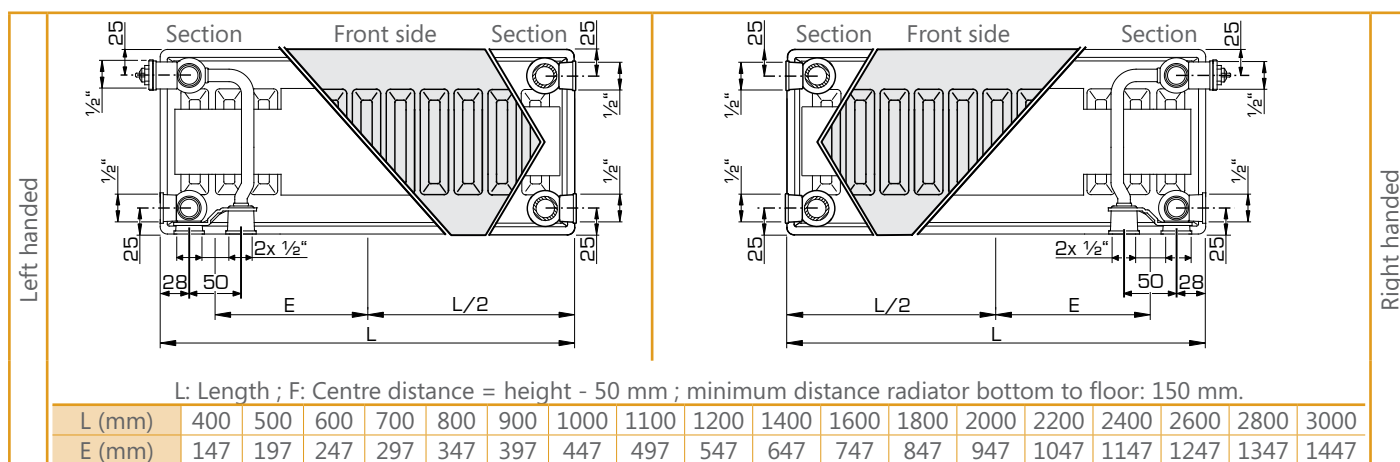
900			
11	21	22	33
1.360	1.883	2.395	3.334
408 281 0223091104	559 380 0221092104	709 482 0221092204	982 662 0221093304
510 351 0223091105	699 476 0221092105	887 602 0221092205	1.228 827 0221093305
612 422 0223091106	838 570 0221092106	1.064 722 0221092206	1.473 993 0221093306
714 492 0223091107	978 665 0221092107	1.241 843 0221092207	1.719 1.159 0221093307
816 562 0223091108	1.117 760 0221092108	1.419 963 0221092208	1.964 1.324 0221093308
917 633 0223091109	1.257 856 0221092109	1.597 1.084 0221092209	2.210 1.490 0221093309
1.019 703 0223091110	1.397 951 0221092110	1.774 1.204 0221092210	2.455 1.655 0221093310
1.121 773 0223091111	1.536 1.045 0221092111	1.950 1.324 0221092211	2.700 1.820 0221093311
1.223 844 0223091112	1.677 1.141 0221092112	2.128 1.445 0221092212	2.946 1.986 0221093312
1.427 984 0223091114	1.956 1.331 0221092114	2.483 1.686 0221092214	3.438 2.317 0221093314
1.631 1.125 0223091116	2.235 1.521 0221092116	2.838 1.926 0221092216	3.928 2.648 0221093316
1.835 1.265 0223091118	2.514 1.711 0221092118	3.192 2.167 0221092218	4.419 2.979 0221093318
2.039 1.406 0223091120	2.794 1.901 0221092120	3.547 2.408 0221092220	4.910 3.310 0221093320

CONNECTION POSSIBILITIES



When connecting as a compact radiator the valve insert has to be removed and plastic plugs have to be replaced with brass plugs.
 * = a reduction in heatoutput will occur when combining low temperature heating with a high temperature difference between inlet and outlet.

MOUNTING DIMENSIONS



J-BRACKETS (TYPE MONCLAC VDI 6036)

Type 11

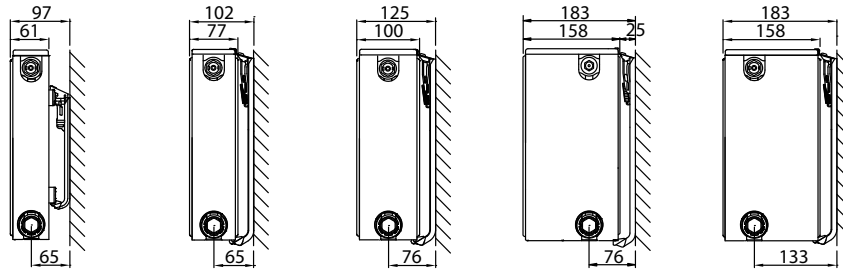
Type 21

Type 22

Type 33

Type 33

reversed rad



Type 11			Art. N°.		Height	Types 21-33					
J-bracket VDI 6036 Cl.3	x	y	2 pcs.	3 pcs.	mm	J-bracket VDI 6036 Class 3	x	y	2 pcs.	3 pcs.	mm
	/	140	R509203	R509303	300		64	190	R510203	R510303	300
	103	240	R509204	R509304	400		64	290	R510204	R510304	400
	103	340	R509205	R509305	500		64	390	R510205	R510305	500
	103	440	R509206	R509306	600		64	490	R510206	R510306	600
	103	540	R509207	R509307	700		64	590	R510207	R510307	700
	103	740	R509209	R509309	900		64	790	R510209	R510309	900

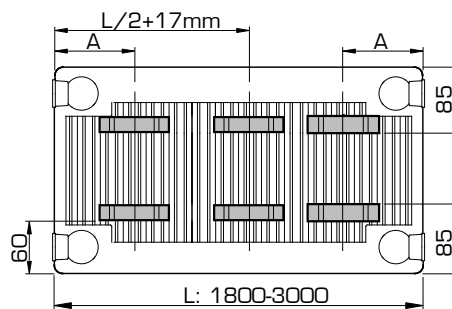
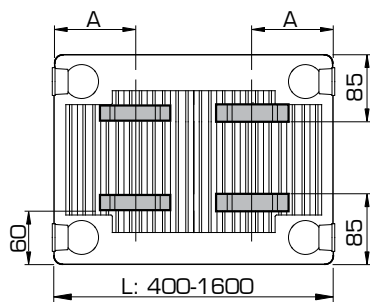
For lengths from 1800 mm: 3 brackets needed.

LUG POSITIONS TYPE 11

Type 11

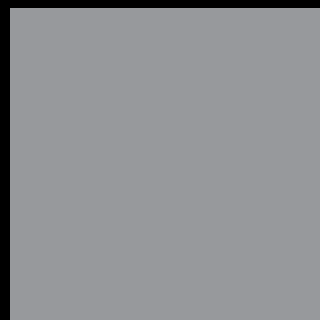
Type 11

L	A
400	117
500-1600	150



L	A
1800-3000	150

Australia • Belgium • Cyprus • Czechia • France • Germany • Greece • Iceland • Lithuania
Luxembourg • Norway • Poland • Slovenia • Sweden • The Netherlands • Tunisia • Ukraine



HENRAD

Henrad nv
Welvaartstraat 14 box 6 • 2200 Herentals • Belgium

WWW.HENRAD.EU

