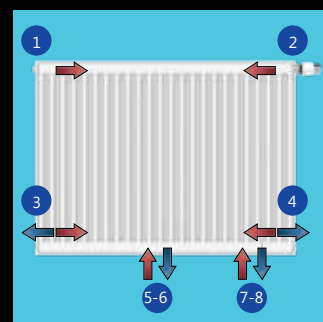
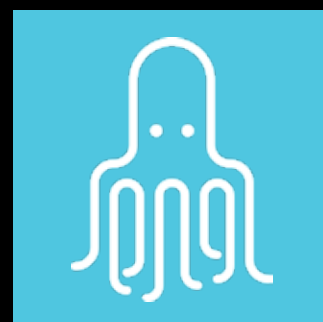




HENRAD

DISCOVER PREMIUM 8

UNIVERSAL AND FLEXIBLE, THE RADIATOR WITH 10 CONNECTION POSSIBILITIES AND A CONSTANT WALL DISTANCE OF 65 MM AT THE CENTRE CONNECTION



STANDARD RANGE

GENERAL INFORMATION

PREMIUM 8

The Premium 8 radiator is a fully encased radiator equipped with an integrated adjustable valve insert. Furthermore you have, thanks to the 4 side- and 4 bottom connections, a variety of connection possibilities. This makes the Premium 8 easy to install and applicable in about every situation. In addition, it offers a uniform wall distance of 65 mm for all types at the centre connection.

Product:	the fully encased valve radiator with 8 connections
Finishing:	upper grille and side panels
Pre-installed:	preset valve insert, air vent and blind plugs
Valve insert:	The integrated adjustable valve insert (without thermostatic head) is factory-fit on the right side of the radiator, tested in accordance with EN215 and compatible with thermostatic heads M30 x 1,5 mm. The thermostatic valve insert is factory-set in relation to the size of the radiator. This presetting ensures optimum throughput in the radiator. Factory setting for two-pipe systems, also suitable for one-pipe systems (as long as the valve insert is adjusted to position 8).
Also supplied:	Monclac brackets with anti-lift (VDI compliant when used in combination with included anti-slide clips), screws and installation instructions
Connections:	4 x ¾" male Eurocone bottom connection (2 x centre and 2 x lateral) and 4 x ½" female side connection. Uniform wall distance of 65 mm for all types at the centre connection. Left handed version: type 21, 22 and 33 are reversible. Reversing types 22 or 33 will modify the centre to wall distance of 65 mm.
Lugs:	Type 11 is equipped with 2 pairs of mounting lugs up to 1.600 mm and 3 pairs from 1.800 mm
Packaging:	Every radiator is sturdily packaged in high-quality cardboard and wrapped in plastic. The radiator's characteristics are shown on the label: type – height – length.
Warranty:	10 years, as long as the installation instructions have been followed and Henrad's warranty conditions have been met.
Paint process:	All radiators are degreased, phosphated, cathodically primed and powder-coated in Henrad white 9016 as standard.
Colours:	Henrad white 9016 + 35 different Henrad colours and about 200 RAL-colours are possible
Heat cost allocator:	Suitable for heat cost allocators, both electronic and according to the evaporation principle (covered by the norm of EN834 & EN835).
Max. operating pressure:	10 bar (tested to 13 bar)
Max. operating temperature:	110 °C
Conformity:	in accordance with EN442
Quality assurance:	NF
Types:	11 21 22 33
Heights:	300 400 500 600 700 900 mm
Lengths:	400 – 3.000 mm
Depths:	61 77 100 158 mm



2018

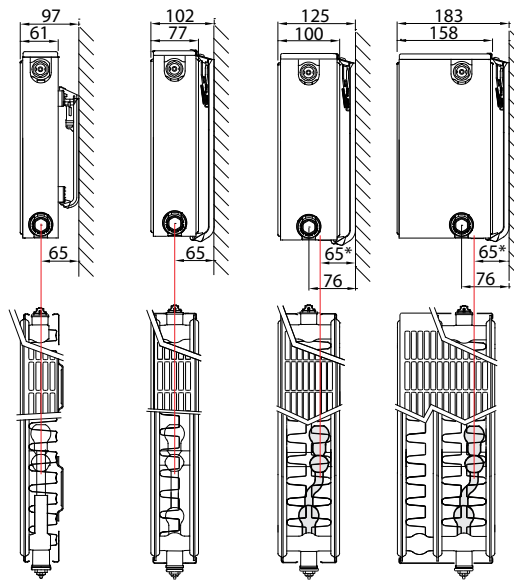
TYPE OVERVIEW

Calculation factor
per meter
at 75/65/20°C
according to EN442

Characteristic equation:

$$\Phi = K_M \times \Delta T^n$$

* centre connection only



Height		T 11	T 21	T 22	T 33	Centre distance
300	W	509	745	982	1.349	250
	kg	9,31	14,29	16,80	25,20	
	l	1,89	3,70	3,70	5,40	
	m ²	2,09	2,44	3,51	5,26	
	n	1,32	1,33	1,33	1,31	
400	W	676	954	1.245	1.711	350
	kg	12,78	19,46	22,87	34,30	
	l	2,34	4,67	4,67	6,87	
	m ²	2,95	3,37	4,92	7,38	
	n	1,31	1,33	1,33	1,32	
500	W	833	1.153	1.494	2.056	450
	kg	16,24	24,63	28,93	43,40	
	l	2,80	5,63	5,63	8,33	
	m ²	3,80	4,31	6,33	9,49	
	n	1,30	1,34	1,33	1,32	
600	W	980	1.345	1.732	2.389	550
	kg	19,70	29,80	35,00	52,50	
	l	3,25	6,60	6,60	9,80	
	m ²	4,66	5,24	7,74	11,61	
	n	1,29	1,34	1,33	1,32	
700	W	1.117	1.530	1.961	2.712	650
	kg	22,90	34,50	40,53	60,77	
	l	3,77	7,63	7,63	11,37	
	m ²	5,51	6,18	9,15	13,72	
	n	1,29	1,34	1,34	1,34	
900	W	1.360	1.883	2.395	3.334	850
	kg	29,30	43,90	51,60	77,30	
	l	4,80	9,70	9,70	14,50	
	m ²	7,22	8,05	11,97	17,96	
	n	1,29	1,34	1,35	1,37	

W=heat output per meter / kg=weight per meter / l=content per meter / m²=surface per meter / n=exponent
The manufacturer reserves the right to alter any of the specifications shown in this document without prior notice.

STANDARD RANGE

PREMIUM 8

HEAT OUTPUTS IN WATT ACCORDING TO EN442



EN442 (W) 70/50/20°C

EN442 (W) 55/45/20°C

HENRAD NV/PL20/0002/E001

Height	300			
	11	21	22	33
Type	11	21	22	33
W/m 75/65/20°C	509	745	982	1.349
400	152 104 0661031104	221 151 0662032104	292 200 0662032204	403 276 0662033304
500	189 129 0661031105	276 189 0662032105	365 249 0662032205	503 345 0662033305
600	227 155 0661031106	332 227 0662032106	438 299 0662032206	603 414 0662033306
700	265 181 0661031107	388 265 0662032107	511 349 0662032207	704 483 0662033307
800	303 207 0661031108	443 302 0662032108	585 399 0662032208	805 552 0662033308
900	341 233 0661031109	498 340 0662032109	658 449 0662032209	906 621 0662033309
1000	379 259 0661031110	554 378 0662032110	730 499 0662032210	1.006 690 0662033310
1100	417 285 0661031111	609 416 0662032111	803 548 0662032211	1.107 759 0662033311
1200	455 311 0661031112	664 453 0662032112	876 598 0662032212	1.208 828 0662033312
1400	531 363 0661031114	775 529 0662032114	1.023 698 0662032214	1.409 966 0662033314
1600		886 604 0662032116	1.169 798 0662032216	1.610 1.103 0662033316
1800		997 680 0662032118	1.315 898 0662032218	1.811 1.241 0662033318
2000		1.107 755 0662032120	1.461 997 0662032220	2.012 1.379 0662033320
2200		1.218 831 0662032122	1.607 1.097 0662032222	2.214 1.517 0662033322
2400		1.329 907 0662032124	1.753 1.197 0662032224	2.415 1.655 0662033324
2600			1.899 1.297 0662032226	
2800			2.045 1.397 0662032228	
3000			2.191 1.496 0662032230	

400			
11	21	22	33
676	954	1.245	1.711
201 138 0661041104	284 193 0662042104	370 253 0662042204	510 349 0662043304
252 173 0661041105	354 241 0662042105	462 315 0662042205	638 437 0662043305
303 208 0661041106	425 290 0662042106	555 379 0662042206	766 524 0662043306
353 242 0661041107	496 338 0662042107	648 442 0662042207	893 611 0662043307
404 277 0661041108	567 386 0662042108	740 505 0662042208	1.020 699 0662043308
454 311 0661041109	638 435 0662042109	833 568 0662042209	1.148 786 0662043309
504 346 0661041110	709 483 0662042110	925 631 0662042210	1.275 873 0662043310
555 381 0661041111	779 531 0662042111	1.018 695 0662042211	1.403 960 0662043311
605 415 0661041112	850 580 0662042112	1.111 758 0662042212	1.530 1.048 0662043312
706 484 0661041114	992 676 0662042114	1.296 884 0662042214	1.785 1.222 0662043314
807 554 0661041116	1.134 773 0662042116	1.481 1.010 0662042216	2.041 1.397 0662043316
908 623 0661041118	1.275 869 0662042118	1.666 1.137 0662042218	2.296 1.572 0662043318
1.009 692 0661041120	1.417 966 0662042120	1.851 1.263 0662042220	2.551 1.746 0662043320
	1.559 1.063 0662042122	2.036 1.389 0662042222	2.806 1.921 0662043322
	1.701 1.159 0662042124	2.221 1.515 0662042224	3.061 2.095 0662043324
		2.406 1.642 0662042226	
		2.591 1.768 0662042228	
		2.776 1.894 0662042230	

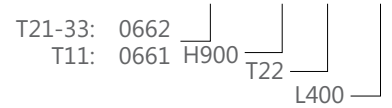
500			
11	21	22	33
833	1.153	1.494	2.056
249 171 0661051104	342 233 0662052104	444 303 0662052204	612 419 0662053304
311 214 0661051105	428 291 0662052105	555 378 0662052205	766 524 0662053305
374 257 0661051106	514 350 0662052106	666 454 0662052206	919 629 0662053306
436 300 0661051107	599 408 0662052107	777 530 0662052207	1.072 733 0662053307
498 343 0661051108	684 466 0662052108	888 605 0662052208	1.225 838 0662053308
561 386 0661051109	771 525 0662052109	999 681 0662052209	1.378 943 0662053309
623 428 0661051110	856 583 0662052110	1.110 757 0662052210	1.531 1.047 0662053310
685 471 0661051111	941 641 0662052111	1.221 832 0662052211	1.685 1.152 0662053311
748 514 0661051112	1.027 700 0662052112	1.332 908 0662052212	1.838 1.257 0662053312
872 600 0661051114	1.198 816 0662052114	1.554 1.059 0662052214	2.144 1.466 0662053314
997 686 0661051116	1.370 933 0662052116	1.776 1.210 0662052216	2.451 1.676 0662053316
1.121 771 0661051118	1.540 1.049 0662052118	1.998 1.362 0662052218	2.757 1.886 0662053318
1.246 857 0661051120	1.712 1.166 0662052120	2.220 1.513 0662052220	3.063 2.095 0662053320
1.371 943 0661051122	1.883 1.283 0662052122	2.442 1.665 0662052222	3.369 2.304 0662053322
1.495 1.028 0661051124	2.054 1.399 0662052124	2.664 1.816 0662052224	3.675 2.514 0662053324
		2.885 1.967 0662052226	
		3.108 2.118 0662052228	
		3.330 2.270 0662052230	

Core assortment (Henrad white 9016) available ex factory within 10 days.
Core assortment is subject to change, please refer to www.henrad.eu for the latest information.
Delivery time depends on the model, please refer to your distributor.

PREMIUM 8

On the label:
8-CONNECTIONS

Art. 0662 09 22 04



HENRAD NV/PLZ/0002/E001

Height	600			
Type	11	21	22	33
W/m 75/65/20°C	980	1.345	1.732	2.389
400	294 203 0661061104	399 272 0662062104	515 350 0662062204	712 486 0662063304
500	367 253 0661061105	499 339 0662062105	643 438 0662062205	889 607 0662063305
600	441 304 0661061106	599 407 0662062106	771 525 0662062206	1.067 729 0662063306
700	514 355 0661061107	699 476 0662062107	900 613 0662062207	1.244 850 0662063307
800	588 405 0661061108	798 543 0662062108	1.029 701 0662062208	1.422 972 0662063308
900	661 456 0661061109	898 611 0662062109	1.157 788 0662062209	1.600 1.094 0662063309
1000	735 507 0661061110	998 679 0662062110	1.286 876 0662062210	1.778 1.215 0662063310
1100	808 557 0661061111	1.098 747 0662062111	1.414 963 0662062211	1.956 1.337 0662063311
1200	881 608 0661061112	1.197 815 0662062112	1.543 1.051 0662062212	2.134 1.458 0662063312
1400	1.028 709 0661061114	1.397 951 0662062114	1.800 1.226 0662062214	2.490 1.701 0662063314
1600	1.175 810 0661061116	1.596 1.086 0662062116	2.057 1.401 0662062216	2.845 1.944 0662063316
1800	1.322 912 0661061118	1.796 1.222 0662062118	2.315 1.577 0662062218	3.200 2.187 0662063318
2000	1.469 1.013 0661061120	1.996 1.358 0662062120	2.572 1.752 0662062220	3.556 2.430 0662063320
2200	1.616 1.114 0661061122	2.195 1.494 0662062122	2.829 1.927 0662062222	3.912 2.673 0662063322
2400	1.763 1.216 0661061124	2.395 1.630 0662062124	3.086 2.102 0662062224	4.268 2.917 0662063324
2600			3.343 2.277 0662062226	
2800			3.601 2.453 0662062228	
3000			3.858 2.628 0662062230	

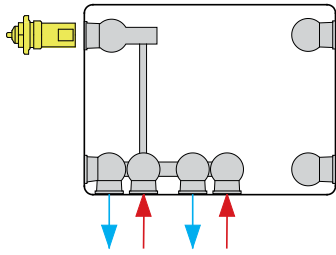
700			
11	21	22	33
1.117	1.530	1.961	2.712
335 231 0661071104	454 309 0662072104	582 396 0662072204	805 547 0662073304
418 288 0661071105	568 386 0662072105	727 495 0662072205	1.006 684 0662073305
502 346 0661071106	681 463 0662072106	873 594 0662072206	1.207 821 0662073306
586 404 0661071107	795 541 0662072107	1.018 693 0662072207	1.408 958 0662073307
670 462 0661071108	908 618 0662072108	1.164 792 0662072208	1.609 1.095 0662073308
753 519 0661071109	1.022 695 0662072109	1.309 891 0662072209	1.810 1.232 0662073309
837 577 0661071110	1.135 772 0662072110	1.455 990 0662072210	2.011 1.368 0662073310
921 635 0661071111	1.249 850 0662072111	1.600 1.089 0662072211	2.212 1.505 0662073311
1.004 693 0661071112	1.362 927 0662072112	1.745 1.188 0662072212	2.413 1.642 0662073312
1.172 808 0661071114	1.589 1.081 0662072114	2.036 1.385 0662072214	2.816 1.916 0662073314
1.339 924 0661071116	1.816 1.236 0662072116	2.328 1.584 0662072216	3.218 2.189 0662073316
1.507 1.039 0661071118	2.043 1.390 0662072118	2.619 1.782 0662072218	3.621 2.463 0662073318
1.674 1.155 0661071120	2.270 1.545 0662072120	2.909 1.980 0662072220	4.023 2.737 0662073320

900			
11	21	22	33
1.360	1.883	2.395	3.334
408 281 0661091104	559 380 0662092104	709 482 0662092204	982 662 0662093304
510 351 0661091105	699 476 0662092105	887 602 0662092205	1.228 827 0662093305
612 422 0661091106	838 570 0662092106	1.064 722 0662092206	1.473 993 0662093306
714 492 0661091107	978 665 0662092107	1.241 843 0662092207	1.719 1.159 0662093307
816 562 0661091108	1.117 760 0662092108	1.419 963 0662092208	1.964 1.324 0662093308
917 633 0661091109	1.257 856 0662092109	1.597 1.084 0662092209	2.210 1.490 0662093309
1.019 703 0661091110	1.397 951 0662092110	1.774 1.204 0662092210	2.455 1.655 0662093310
1.121 773 0661091111	1.536 1.045 0662092111	1.950 1.324 0662092211	2.700 1.820 0662093311
1.223 844 0661091112	1.677 1.141 0662092112	2.128 1.445 0662092212	2.946 1.986 0662093312
1.427 984 0661091114	1.956 1.331 0662092114	2.483 1.686 0662092214	3.438 2.317 0662093314
1.631 1.125 0661091116	2.235 1.521 0662092116	2.838 1.926 0662092216	3.928 2.648 0662093316
1.835 1.265 0661091118	2.514 1.711 0662092118	3.192 2.167 0662092218	4.419 2.979 0662093318
2.039 1.406 0661091120	2.794 1.901 0662092120	3.547 2.408 0662092220	4.910 3.310 0662093320

CONNECTION POSSIBILITIES

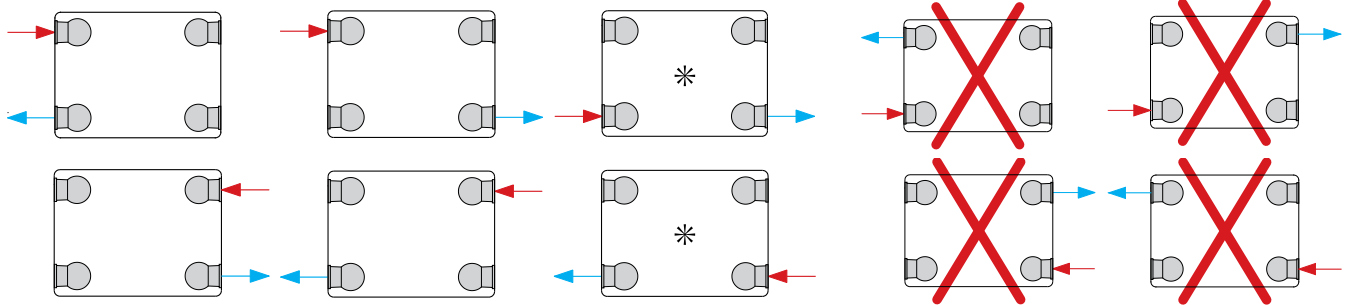
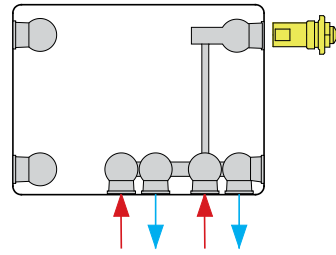
Types 21 / 22 / 33

Radiator with insert on the left hand side (reversed radiator)



Types 11 / 21 / 22 / 33

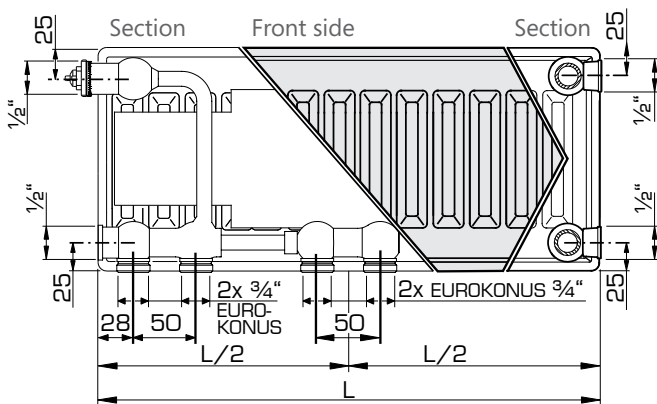
Radiator with insert on the right hand side



When connecting as a compact radiator the valve insert has to be removed and plastic plugs have to be replaced with brass plugs.
 * = a reduction in heatoutput will occur when combining low temperature heating with a high temperature difference between inlet and outlet.

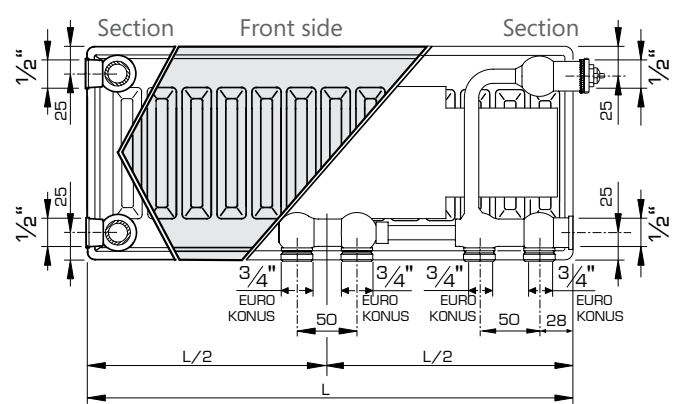
MOUNTING DIMENSIONS

Types 21 / 22 / 33



Radiator with insert on the left hand side (reversed radiator)

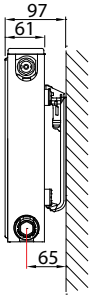
Types 11 / 21 / 22 / 33



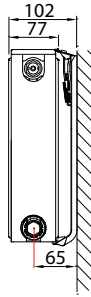
Radiator with insert on the right hand side

J-BRACKETS (TYPE MONCLAC VDI 6036)

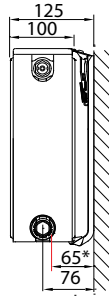
Type 11



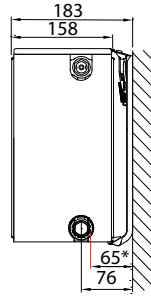
Type 21



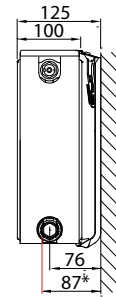
Type 22



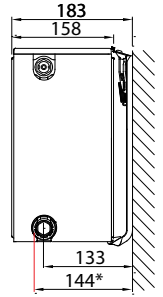
Type 33



Type 22
reversed
radiator



Type 33
reversed
radiator



* centre connection only

* centre connection only

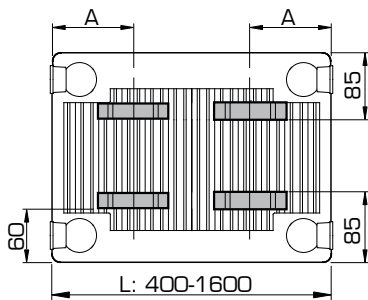
Type 11		Art. N°.		Height	
J-bracket VDI 6036 Cl.3	x	y	2 pcs.	3 pcs.	mm
	/	140	R509203	R509303	300
	103	240	R509204	R509304	400
	103	340	R509205	R509305	500
	103	440	R509206	R509306	600
	103	540	R509207	R509307	700
	103	740	R509209	R509309	900

Types 21-33			Art. N°.		Height
J-bracket VDI 6036 Class 3	x	y	2 pcs.	3 pcs.	mm
	64	190	R510203	R510303	300
	64	290	R510204	R510304	400
	64	390	R510205	R510305	500
	64	490	R510206	R510306	600
	64	590	R510207	R510307	700
	64	790	R510209	R510309	900

For lengths from 1800 mm: 3 brackets needed.

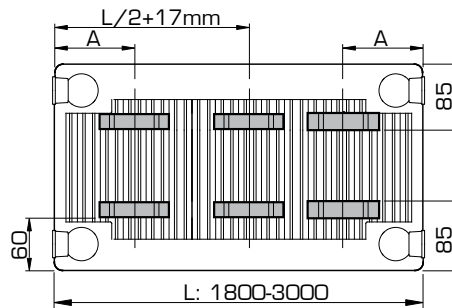
LUG POSITIONS TYPE 11

Type 11



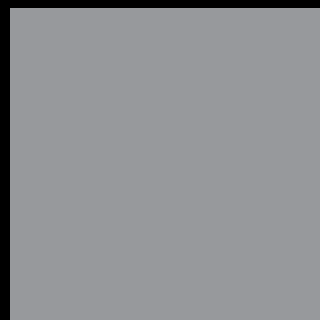
L	A
400	117
500-1600	150

Type 11



L	A
1800-3000	150

Australia • Belgium • Cyprus • Czechia • France • Germany • Greece • Iceland • Lithuania
Luxembourg • Norway • Poland • Slovenia • Sweden • The Netherlands • Tunisia • Ukraine



HENRAD

Henrad nv
Welvaartstraat 14 box 6 • 2200 Herentals • Belgium

WWW.HENRAD.EU

