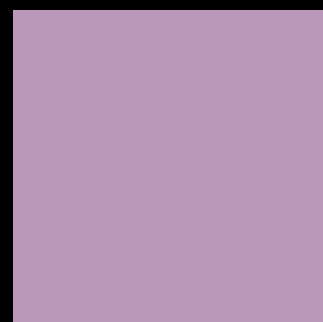
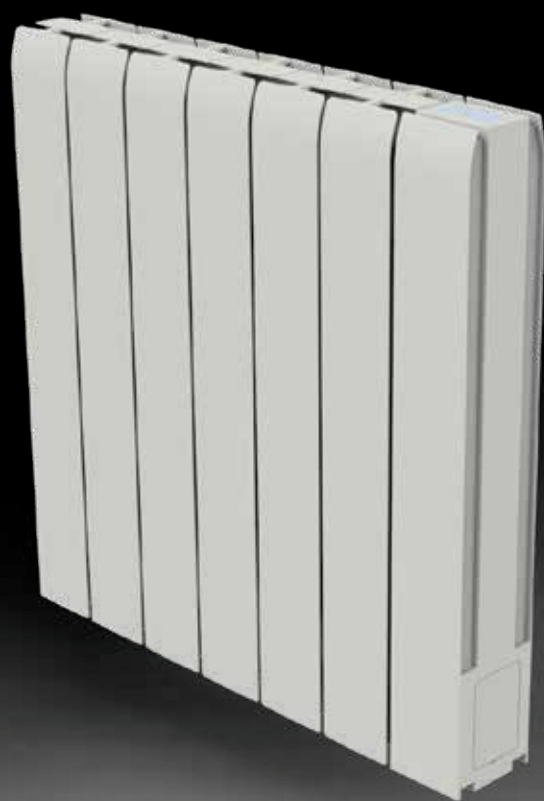




**HENRAD**

# DISCOVER LAGO



# ELECTRICAL RANGE

## GENERAL INFORMATION

### LAGO

The Lago is made with slim and compact vertical flat columns which stylishly curve at the top.

Product:	Electric horizontal radiator
Pre-installed:	Prefilled with oil, equipped with a thermostat and a 1,2 m insulated cable with plug.
Also supplied:	Brackets, screws, plugs and manual
Control:	Control via an integrated thermostat with automatic weekly programming, open window detection, presence detection and boost function.
Packaging:	Every radiator is sturdily packaged in high-quality cardboard. The radiator's characteristics are shown on the label: electric power – height – length.
Warranty:	10 years for the radiator and 2 years for the electrical components, as long as the installation instructions have been followed, Henrad's warranty conditions have been met and the radiator is installed outside the splash area.
Paint process:	All radiators are degreased, phosphated, primed and powder-coated.
Colour:	Traffic white
Conformity:	EcoDesign 2018 (EU Regulation 2015/1188)
Technical data:	Voltage 230V ~50Hz, IP24, Class II
Height:	580 mm
Lengths:	580   820   980 mm
Depth:	90 mm
Output:	1.000   1.500   1.800 W

Height	Length	Output	Art. N°.	Colour
<b>H580</b>	<b>L580</b>	<b>1.000 W</b>	7151B0580010580	Traffic white
	<b>L820</b>	<b>1.500 W</b>	7151B0580010820	
	<b>L980</b>	<b>1.800 W</b>	7151B0580010980	



**ECODESIGN**  
2018 COMPLIANT



# ELECTRICAL RANGE

## MOUNTING AND INSTALLATION

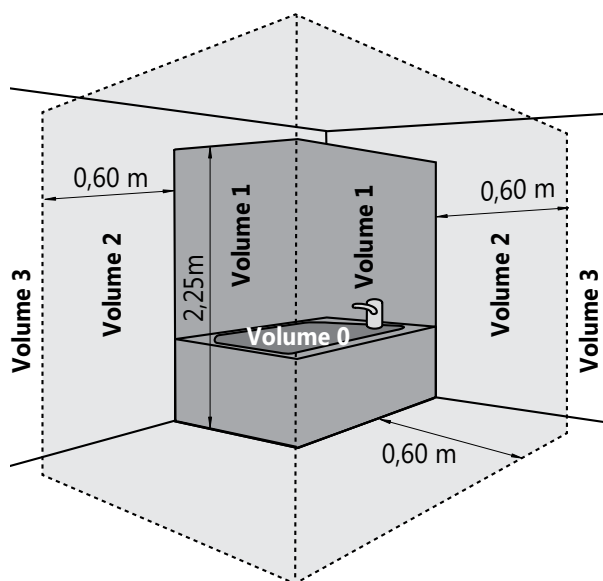
Since the Lago is a class II heater with an IP24 protection rating, it can be installed as such, in volume 2 or 3 of the bathroom (see figure), provided that it is shielded from water splashes and that the radiator is out reach of persons in the bath or under the shower.

Furthermore, when installed in volume 2, the radiator must additionally be shielded by means of a fixed wall.

The radiator must be installed with the control panel at the top and the electrical wire in the lower section. It is prohibited to install the radiator with the control panel below or on the side.

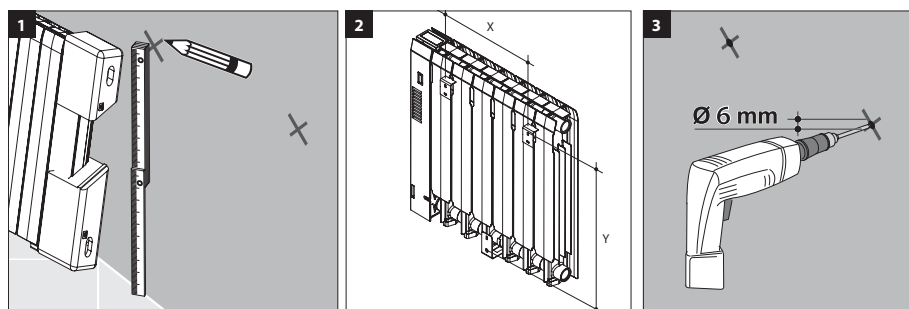
The appliance is insulated according to class II and is therefore not earthed. It needs to be powered by a single-phased current of 230V ~50 Hz.

The plug should be connected to a wall socket placed in volume 3.

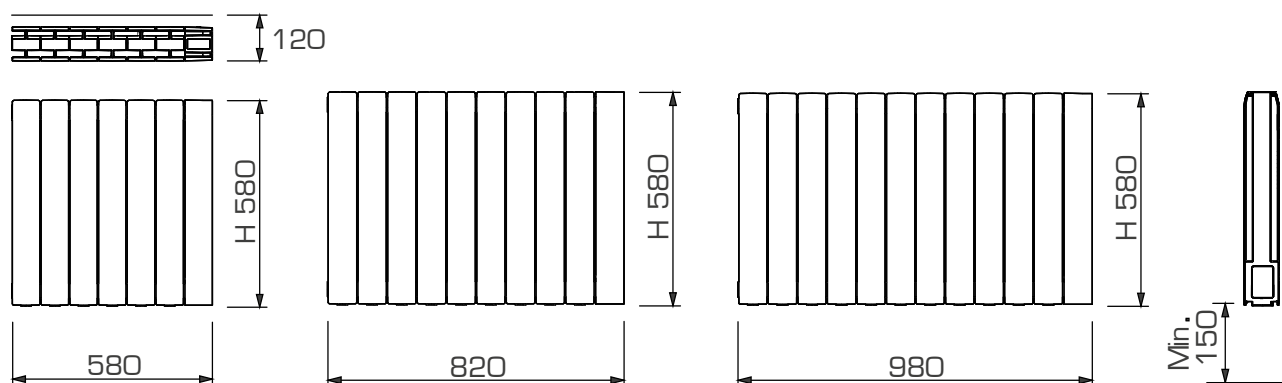


### ATTENTION:

In France, the installation of electric radiators with plugs is prohibited.



W	X1
1000	322
1500	563
1800	724

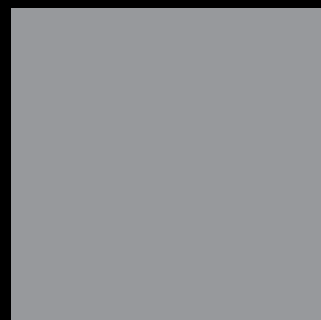


[click here](#)



The assembly instructions are available on [our website](#), technical data of Lago or via the QR-code:

Australia • Belgium • Cyprus • Czechia • France • Germany • Greece • Iceland • Lithuania  
Luxembourg • Norway • Poland • Slovenia • Sweden • The Netherlands • Tunisia • Ukraine



## HENRAD

Henrad nv  
Welvaartstraat 14 box 6 • 2200 Herentals • Belgium

[WWW.HENRAD.EU](http://WWW.HENRAD.EU)

