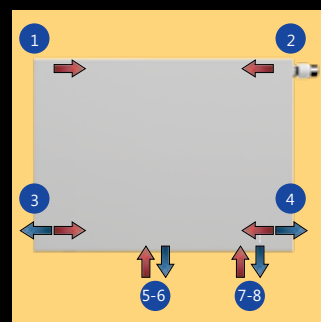




HENRAD

DISCOVER HYGIENE PLAN 8

UNIVERSAL AND FLEXIBLE, OUR DECORATIVE VALVED RADIATOR WITH A FLAT FRONT, NO CONVECTION FINS AND 8 CONNECTION POSSIBILITIES



GENERAL INFORMATION

HYGIENE PLAN 8

The Hygiene Plan 8 is a decorative radiator with a flat front, without convection fins and without upper grille and side panels, for each project where hygiene is of great importance. With its flat front, the radiator has a timeless design. Furthermore you have, thanks to the 4 side- and 4 bottom connections, a variety of connection possibilities. In addition, it offers a uniform wall distance of 65 mm for types 20 and 30 at the centre connection.

Product:	decorative naked valve radiator without convection fins with 8 connections and a flat front
Finishing:	decorative flat front, without upper grille and side panels
Pre-installed:	preset valve insert, air vent and blind plugs
Valve insert:	The integrated adjustable valve insert (without thermostatic head) is factory-fit on the right side of the radiator, tested in accordance with EN215 and compatible with thermostatic heads M30 x 1,5 mm. The thermostatic valve insert is factory-set in relation to the size of the radiator. This presetting ensures optimum throughput in the radiator. Factory setting for two-pipe systems, also suitable for one-pipe systems (as long as the valve insert is adjusted to position 8).
Also supplied:	Monclac brackets with anti-lift (VDI compliant when used in combination with included anti-slide clips), screws, plugs and installation instructions
Connections:	4 x ¾" male Eurocone bottom connection (2 x centre and 2 x lateral) and 4 x ½" female side connection. Uniform wall distance of 65 mm for types 20 and 30 at the centre connection.
Lugs:	Type 10 is equipped with 2 pairs of mounting lugs up to 1.600 mm and 3 pairs from 1.800 mm
Packaging:	Every radiator is sturdily packaged in high-quality cardboard and wrapped in plastic. The radiator's characteristics are shown on the label: type – height – length.
Warranty:	10 years, as long as the installation instructions have been followed and Henrad's warranty conditions have been met.
Paint process:	All radiators are degreased, phosphated, cataphoretically primed and powder-coated in Henrad white 9016 as standard.
Colours:	Henrad white 9016 + 35 different Henrad colours and about 200 RAL-colours are possible
Max. operating pressure:	10 bar (tested to 13 bar)
Max. operating temperature:	110 °C
Conformity:	in accordance with EN442
Quality assurance:	NF: Types 20-30
Types:	10 20 30
Heights:	300 400 500 600 700 900 mm
Lengths:	400 – 3.000 mm
Depths:	49 79 160 mm



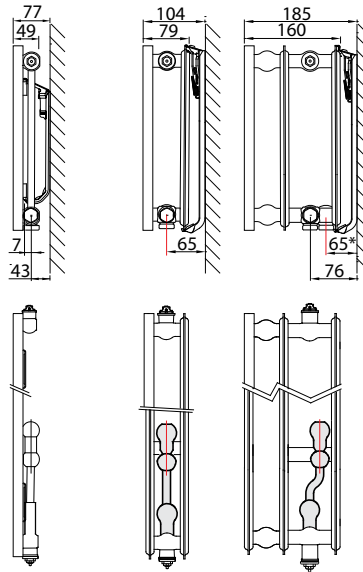
2022

TYPE OVERVIEW

Calculation factor
per meter
at 75/65/20°C
according to EN442
Characteristic equation

$$\Phi = K_M \times \Delta T^n$$

* centre connection only



Height		T10	T20	T30	Centre distance
300	W	301	531	798	250
	kg	8,44	14,64	22,00	
	l	1,84	3,29	5,20	
	m ²	0,68	1,37	2,04	
	n	1,27	1,30	1,32	
400	W	394	680	983	350
	kg	10,79	19,26	28,53	
	l	2,35	4,49	6,57	
	m ²	0,91	1,83	2,73	
	n	1,27	1,30	1,30	
500	W	481	820	1.168	450
	kg	13,15	23,88	35,07	
	l	2,85	5,70	7,93	
	m ²	1,14	2,28	3,42	
	n	1,27	1,31	1,28	
600	W	562	952	1.357	550
	kg	15,50	28,50	41,60	
	l	3,35	6,90	9,30	
	m ²	1,37	2,74	4,11	
	n	1,27	1,31	1,27	
700	W	636	1.077	1.550	650
	kg	18,15	33,33	48,10	
	l	3,83	7,57	10,77	
	m ²	1,60	3,20	4,79	
	n	1,27	1,32	1,29	
900	W	765	1.308	1.959	850
	kg	23,45	43,00	61,10	
	l	4,80	8,90	13,70	
	m ²	2,06	4,12	6,18	
	n	1,27	1,33	1,33	

W=heat output per meter / kg=weight per meter / l=content per meter / m²=surface per meter / n=exponent
The manufacturer reserves the right to alter any of the specifications shown in this document without prior notice.

HYGIENE PLAN 8

HEAT OUTPUTS IN WATT ACCORDING TO EN442



EN442 (W) 70/50/20°C

EN442 (W) 55/45/20°C

HENRAD NV/PL19/0026/E017

Height	300		
Type	10	20	30
W/m 75/65/20°C	301	531	798
400		159 109 0659032004	238 163 0659033004
500	113 79 0658031005	199 137 0659032005	297 204 0659033005
600	136 95 0658031006	238 164 0659032006	357 244 0659033006
700	159 110 0658031007	278 191 0659032007	416 285 0659033007
800	182 126 0658031008	318 219 0659032008	476 326 0659033008
900	204 142 0658031009	358 246 0659032009	535 366 0659033009
1000	227 158 0658031010	397 274 0659032010	595 407 0659033010
1100	250 173 0658031011	437 301 0659032011	654 448 0659033011
1200	272 189 0658031012	477 328 0659032012	714 488 0659033012
1400	318 221 0658031014	556 383 0659032014	833 570 0659033014
1600		636 438 0659032016	951 651 0659033016
1800		715 492 0659032018	1.070 733 0659033018
2000		795 547 0659032020	1.189 814 0659033020
2200		874 602 0659032022	1.308 895 0659033022
2400		954 656 0659032024	1.427 977 0659033024
2600		1.033 711 0659032026	
2800		1.113 766 0659032028	
3000		1.192 821 0659032030	

400		
10	20	30
394	680	983
	203 140 0659042004	294 202 0659043004
149 103 0658041005	254 175 0659042005	368 253 0659043005
178 124 0658041006	305 210 0659042006	441 303 0659043006
208 144 0658041007	356 245 0659042007	515 354 0659043007
238 165 0658041008	407 280 0659042008	588 405 0659043008
267 186 0658041009	458 315 0659042009	662 455 0659043009
297 206 0658041010	509 350 0659042010	735 506 0659043010
327 227 0658041011	559 385 0659042011	809 556 0659043011
356 248 0658041012	610 420 0659042012	882 607 0659043012
416 289 0658041014	712 490 0659042014	1.029 708 0659043014
475 330 0658041016	814 559 0659042016	1.177 809 0659043016
535 371 0658041018	915 629 0659042018	1.324 910 0659043018
594 413 0658041020	1.017 699 0659042020	1.471 1.011 0659043020
	1.119 769 0659042022	1.618 1.113 0659043022
	1.220 839 0659042024	1.765 1.214 0659043024
	1.322 909 0659042026	
	1.424 979 0659042028	
	1.526 1.049 0659042030	

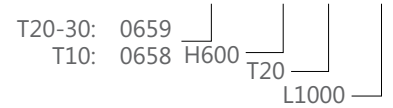
500		
10	20	30
481	820	1.168
	245 168 0659052004	351 242 0659053004
181 126 0658051005	306 210 0659052005	439 303 0659053005
218 151 0658051006	368 253 0659052006	526 364 0659053006
254 176 0658051007	429 295 0659052007	614 424 0659053007
290 202 0658051008	490 337 0659052008	702 485 0659053008
326 227 0658051009	552 379 0659052009	789 546 0659053009
363 252 0658051010	613 421 0659052010	877 606 0659053010
399 277 0658051011	674 463 0659052011	965 667 0659053011
435 302 0658051012	735 505 0659052012	1.052 727 0659053012
508 353 0658051014	858 589 0659052014	1.228 849 0659053014
580 403 0658051016	980 674 0659052016	1.403 970 0659053016
653 454 0658051018	1.103 758 0659052018	1.579 1.091 0659053018
725 504 0658051020	1.226 842 0659052020	1.754 1.212 0659053020
798 554 0658051022	1.348 926 0659052022	1.929 1.334 0659053022
870 605 0658051024	1.471 1.010 0659052024	2.105 1.455 0659053024
	1.593 1.094 0659052026	
	1.716 1.179 0659052028	
	1.838 1.263 0659052030	

Core assortment (Henrad white 9016) available ex factory within 10 days.
 Core assortment is subject to change, please refer to www.henrad.eu for the latest information.
 Delivery time depends on the model, please refer to your distributor.

HYGIENE PLAN 8

On the label:
8-CONNECTIONS HYGIENE PLAN

Art. 0659 06 20 10



HENRAD_NY/PL19/0026/E017

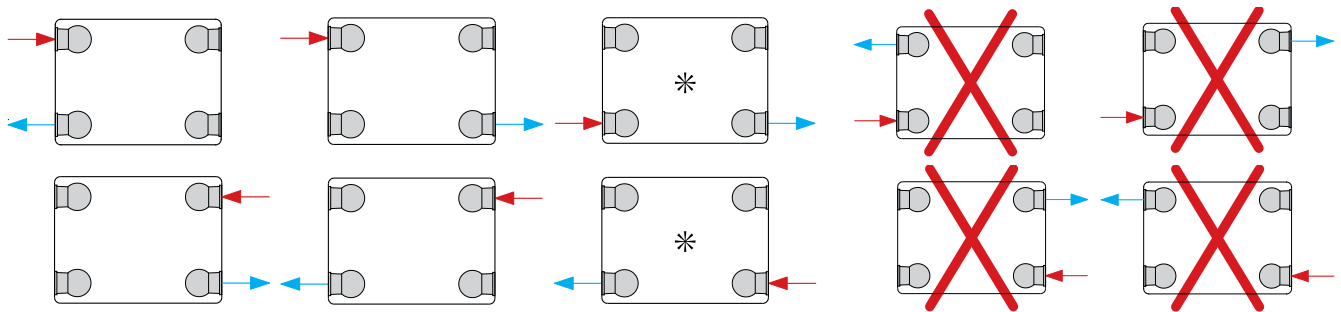
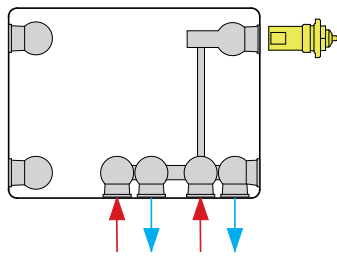
Height	600		
	10	20	30
Type	10	20	30
W/m 75/65/20°C	562	952	1.357
400		284 195 0659062004	409 284 0659063004
500	212 147 0658061005	355 244 0659062005	511 355 0659063005
600	254 177 0658061006	427 293 0659062006	614 426 0659063006
700	297 206 0658061007	498 342 0659062007	716 497 0659063007
800	339 236 0658061008	569 390 0659062008	818 568 0659063008
900	381 265 0658061009	640 439 0659062009	921 639 0659063009
1000	424 294 0658061010	711 488 0659062010	1.023 710 0659063010
1100	466 324 0658061011	782 537 0659062011	1.125 781 0659063011
1200	508 353 0658061012	853 585 0659062012	1.227 852 0659063012
1400	593 412 0658061014	995 683 0659062014	1.432 994 0659063014
1600	678 471 0658061016	1.137 781 0659062016	1.636 1.137 0659063016
1800	763 530 0658061018	1.280 878 0659062018	1.841 1.279 0659063018
2000	847 589 0658061020	1.422 976 0659062020	2.046 1.421 0659063020
2200	932 648 0658061022	1.564 1.073 0659062022	2.250 1.563 0659063022
2400	1.017 707 0658061024	1.706 1.171 0659062024	2.455 1.705 0659063024
2600		1.848 1.269 0659062026	
2800		1.991 1.366 0659062028	
3000		2.133 1.464 0659062030	

700		
10	20	30
636	1.077	1.550
	321 220 0659072004	465 321 0659073004
240 167 0658071005	402 275 0659072005	581 401 0659073005
288 200 0658071006	482 330 0659072006	698 482 0659073006
336 233 0658071007	562 385 0659072007	814 562 0659073007
384 267 0658071008	642 440 0659072008	930 642 0659073008
432 300 0658071009	723 495 0659072009	1.046 722 0659073009
480 333 0658071010	803 550 0659072010	1.163 803 0659073010
527 367 0658071011	883 605 0659072011	1.279 883 0659073011
575 400 0658071012	964 660 0659072012	1.395 963 0659073012
671 467 0658071014	1.124 770 0659072014	1.628 1.124 0659073014
767 533 0658071016	1.285 880 0659072016	1.860 1.284 0659073016
863 600 0658071018	1.445 990 0659072018	2.093 1.445 0659073018
959 666 0658071020	1.606 1.100 0659072020	2.325 1.605 0659073020

900		
10	20	30
765	1.308	1.959
	389 265 0659092004	582 397 0659093004
288 200 0658091005	486 332 0659092005	728 496 0659093005
346 240 0658091006	583 398 0659092006	873 596 0659093006
404 281 0658091007	681 464 0659092007	1.019 695 0659093007
461 321 0658091008	778 531 0659092008	1.164 794 0659093008
519 361 0658091009	875 597 0659092009	1.310 893 0659093009
577 401 0658091010	972 663 0659092010	1.456 993 0659093010
634 441 0658091011	1.069 730 0659092011	1.601 1.092 0659093011
692 481 0658091012	1.167 796 0659092012	1.747 1.191 0659093012
807 561 0658091014	1.361 929 0659092014	2.038 1.390 0659093014
923 641 0658091016	1.556 1.061 0659092016	2.329 1.588 0659093016
1.038 721 0658091018	1.750 1.194 0659092018	2.620 1.787 0659093018
1.154 801 0658091020	1.944 1.326 0659092020	2.911 1.985 0659093020

CONNECTION POSSIBILITIES

Radiator with insert on the right hand side

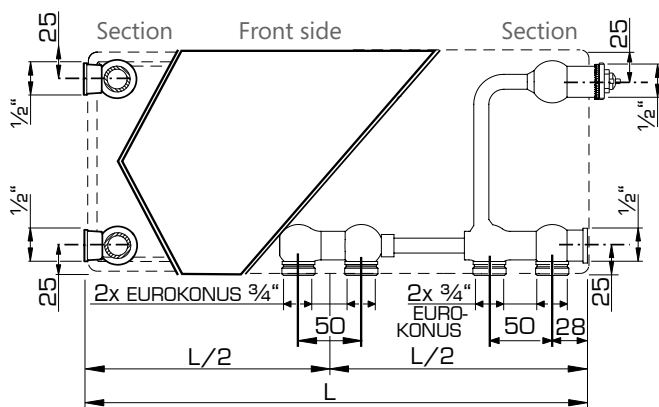


When connecting as a compact radiator the valve insert has to be removed.

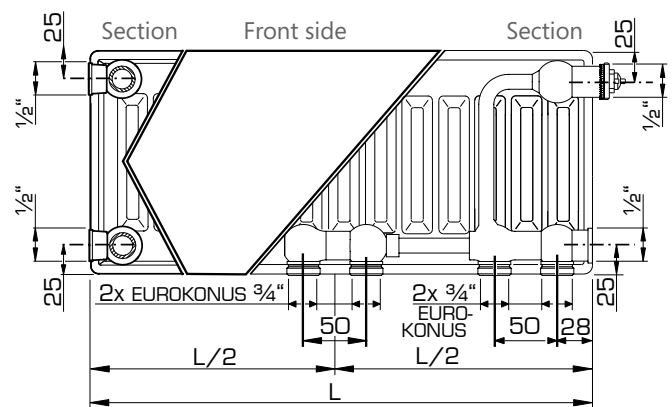
* = a reduction in heatoutput will occur when combining low temperature heating with a high temperature difference between inlet and outlet

MOUNTING DIMENSIONS

Type 10

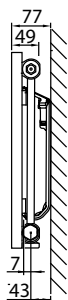


Type 20/30

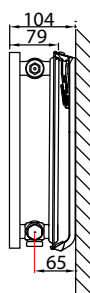


J-BRACKETS (TYPE MONCLAC VDI 6036)

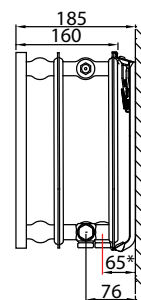
Type 10



Type 20



Type 30



* centre connection only

Type 10		x	y	Art. N°.	Height
J-bracket VDI 6036 Class 2	2 pc.				
	/	130	R51120310	300	
	115	230	R51120410	400	
	115	330	R51120510	500	
	115	430	R51120610	600	
	115	530	R51120710	700	
	115	730	R51120910	900	

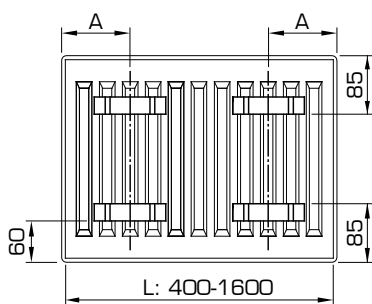
Types 20-30			Art. N°.	Height
J-bracket VDI 6036 Class 3	x	y		
	64	190	R510103	300
	64	290	R510104	400
	64	390	R510105	500
	64	490	R510106	600
	64	590	R510107	700
	64	790	R510109	900

For lengths from 1800 mm: 3 brackets needed.

LUG POSITIONS TYPE 10

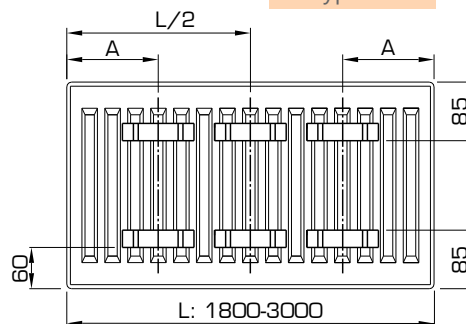
Type 10

L	A
400-1100	167
1200-1600	267

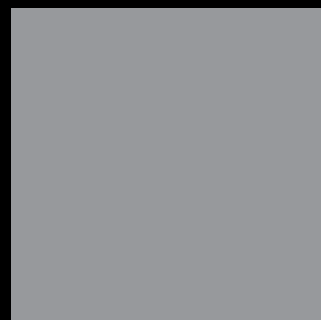


Type 10

L	A
1800-3000	267



Australia • Belgium • Cyprus • Czechia • France • Germany • Greece • Iceland • Lithuania
Luxembourg • Norway • Poland • Slovenia • Sweden • The Netherlands • Tunisia • Ukraine



HENRAD

Henrad nv
Welvaartstraat 14 box 6 • 2200 Herentals • Belgium

WWW.HENRAD.EU

