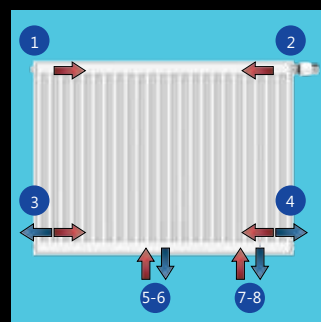
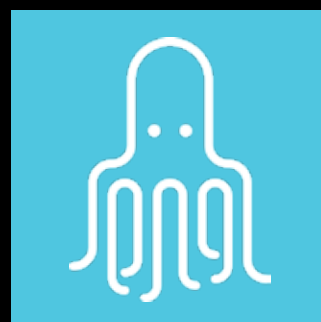




HENRAD

DISCOVER EVEREST PLAN 8

UNIVERSAL AND FLEXIBLE, THE RADIATOR WITH 8 CONNECTION POSSIBILITIES AND A CONSTANT WALL DISTANCE OF 65 MM AT THE CENTRE CONNECTION



GENERAL INFORMATION

EVEREST PLAN 8

The Everest Plan 8 is with a flat front, perfectly fitting side panels and upper grille a decorative radiator with a timeless design. Furthermore you have, thanks to the 4 side- and 4 bottom connections, a variety of connection possibilities. This makes the Everest Plan 8 easy to install and applicable in about every situation. In addition, it offers a uniform wall distance of 65 mm for all types at the centre connection.

Product:	decorative valve radiator with a flat front and 8 connections
Finishing:	decorative flat front, upper grille and side panels
Pre-installed:	preset valve insert, air vent and blind plugs
Valve insert:	The integrated adjustable valve insert (without thermostatic head) is factory-fit on the right side of the radiator, tested in accordance with EN215 and compatible with thermostatic heads M30 x 1,5 mm. The thermostatic valve insert is factory-set in relation to the size of the radiator. This presetting ensures optimum throughput in the radiator. Factory setting for two-pipe systems, also suitable for one-pipe systems (as long as the valve insert is adjusted to position 8).
Also supplied:	Monclac brackets with anti-lift (VDI compliant when used in combination with included anti-slide clips), screws and installation instructions
Connections:	4 x ¾" male Eurocone bottom connection (2 x centre and 2 x lateral) and 4 x ½" female side connection. Uniform wall distance of 65 mm for all types at the centre connection. Left-hand version of types 21-33 available on request. This changes the distance of 65 mm between the centre connection and the wall for types 22 and 33.
Lugs:	Type 11 is equipped with 2 pairs of mounting lugs up to 1.600 mm and 3 pairs from 1.800 mm
Packaging:	Every radiator is sturdily packaged in high-quality cardboard and wrapped in plastic. The radiator's characteristics are shown on the label: type – height – length.
Warranty:	10 years, as long as the installation instructions have been followed and Henrad's warranty conditions have been met.
Paint process:	All radiators are degreased, phosphated, cathodically primed and powder-coated in Henrad white 9016 as standard.
Colours:	Henrad white 9016 + 35 different Henrad colours and about 200 RAL-colours are possible
Heat cost allocator:	Suitable for heat cost allocators, both electronic and according to the evaporation principle (covered by the norm of EN834 & EN835).
Max. operating pressure:	10 bar (tested to 13 bar)
Max. operating temperature:	110 °C
Conformity:	in accordance with EN442
Quality assurance:	NF
Types:	11 21 22 33
Heights:	300 400 500 600 700 900 mm
Lengths:	400 – 3.000 mm
Depths:	63 79 102 160 mm



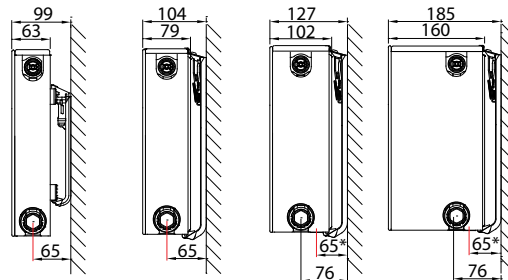
2018

TYPE OVERVIEW

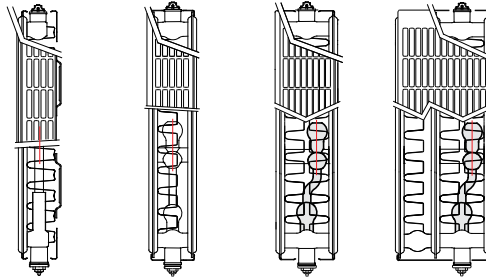
Calculation factor
per meter
at 75/65/20°C
according to EN442

Characteristic equation:

$$\Phi = K_M \times \Delta T^n$$



* centre connection only



Height		T 11	T 21	T 22	T 33	Centre distance
300	W	469	706	929	1.346	250
	kg	11,88	16,86	19,60	28,00	
	l	1,89	3,70	3,70	5,40	
	m ²	2,09	2,44	3,51	5,26	
	n	1,30	1,32	1,30	1,31	
400	W	626	889	1.177	1.690	350
	kg	16,13	22,87	26,40	38,13	
	l	2,34	4,67	4,67	6,87	
	m ²	2,95	3,37	4,92	7,38	
	n	1,29	1,32	1,30	1,32	
500	W	774	1.062	1.411	2.017	450
	kg	20,39	28,89	33,20	48,27	
	l	2,80	5,63	5,63	8,33	
	m ²	3,80	4,31	6,33	9,49	
	n	1,28	1,32	1,31	1,33	
600	W	911	1.227	1.634	2.332	550
	kg	24,65	34,90	40,00	58,40	
	l	3,25	6,60	6,60	9,80	
	m ²	4,66	5,24	7,74	11,61	
	n	1,27	1,32	1,32	1,34	
700	W	1.038	1.387	1.848	2.637	650
	kg	28,91	40,91	46,80	68,53	
	l	3,77	7,63	7,63	11,37	
	m ²	5,51	6,18	9,15	13,72	
	n	1,28	1,32	1,33	1,34	
900	W	1.260	1.690	2.251	3.225	850
	kg	37,43	52,94	60,40	88,80	
	l	4,80	9,70	9,70	14,50	
	m ²	7,22	8,05	11,97	17,96	
	n	1,29	1,31	1,35	1,34	

W=heat output per meter / kg=weight per meter / l=content per meter / m²=surface per meter / n=exponent
The manufacturer reserves the right to alter any of the specifications shown in this document without prior notice.

EVEREST PLAN 8

HEAT OUTPUTS IN WATT ACCORDING TO EN442



EN442 (W) 70/50/20°C

EN442 (W) 55/45/20°C

HENRAD_NVP/PL20/0002/E001

Height	300			
	11	21	22	33
Type	11	21	22	33
W/m 75/65/20°C	469	706	929	1.346
400	141 97 0651031104	210 144 0652032104	279 192 0652032204	401 275 0652033304
500	175 120 0651031105	263 180 0652032105	347 239 0652032205	502 344 0652033305
600	210 145 0651031106	316 216 0652032106	417 287 0652032206	603 413 0652033306
700	245 169 0651031107	368 252 0652032107	487 335 0652032207	703 482 0652033307
800	280 193 0651031108	421 288 0652032108	556 383 0652032208	804 551 0652033308
900	316 217 0651031109	473 324 0652032109	626 431 0652032209	904 619 0652033309
1000	351 241 0651031110	526 360 0652032110	696 479 0652032210	1.004 689 0652033310
1100	386 265 0651031111	579 397 0652032111	765 527 0652032211	1.105 758 0652033311
1200	421 290 0651031112	631 432 0652032112	835 575 0652032212	1.205 826 0652033312
1400	491 338 0651031114	737 504 0652032114	974 671 0652032214	1.406 964 0652033314
1600		842 577 0652032116	1.113 767 0652032216	1.607 1.102 0652033316
1800		948 649 0652032118	1.252 863 0652032218	1.808 1.239 0652033318
2000		1.053 721 0652032120	1.391 958 0652032220	2.009 1.377 0652033320
2200		1.158 793 0652032122	1.531 1.054 0652032222	2.209 1.515 0652033322
2400		1.263 865 0652032124	1.670 1.150 0652032224	2.410 1.652 0652033324
2600			1.809 1.246 0652032226	
2800			1.948 1.342 0652032228	
3000			2.087 1.438 0652032230	

400				
11	21	22	33	
Type	11	21	22	33
W/m	626	889	1.177	1.690
400	187 129 0651041104	265 182 0652042104	352 242 0652042204	503 344 0652043304
500	235 162 0651041105	331 226 0652042105	440 302 0652042205	629 430 0652043305
600	282 194 0651041106	397 272 0652042106	528 363 0652042206	755 516 0652043306
700	328 226 0651041107	463 317 0652042107	616 423 0652042207	881 602 0652043307
800	376 259 0651041108	530 363 0652042108	704 484 0652042208	1.007 688 0652043308
900	422 291 0651041109	596 408 0652042109	792 544 0652042209	1.132 774 0652043309
1000	469 324 0651041110	662 453 0652042110	880 605 0652042210	1.258 860 0652043310
1100	516 356 0651041111	729 499 0652042111	968 665 0652042211	1.384 946 0652043311
1200	563 388 0651041112	795 544 0652042112	1.055 725 0652042212	1.510 1.032 0652043312
1400	657 453 0651041114	928 635 0652042114	1.232 847 0652042214	1.761 1.204 0652043314
1600	751 518 0651041116	1.060 725 0652042116	1.408 967 0652042216	2.013 1.376 0652043316
1800	845 583 0651041118	1.192 816 0652042118	1.584 1.088 0652042218	2.265 1.548 0652043318
2000	939 647 0651041120	1.325 907 0652042120	1.760 1.209 0652042220	2.516 1.720 0652043320
2200		1.457 997 0652042122	1.935 1.330 0652042222	2.768 1.892 0652043322
2400		1.590 1.088 0652042124	2.112 1.451 0652042224	3.020 2.064 0652043324
2600			2.287 1.572 0652042226	
2800			2.464 1.693 0652042228	
3000			2.639 1.814 0652042230	

500				
11	21	22	33	
Type	11	21	22	33
W/m	774	1.062	1.411	2.017
400	233 161 0651051104	317 216 0652052104	421 289 0652052204	599 409 0652053304
500	291 201 0651051105	395 270 0652052105	527 361 0652052205	749 510 0652053305
600	349 241 0651051106	474 324 0652052106	632 433 0652052206	899 613 0652053306
700	407 282 0651051107	553 378 0652052107	737 505 0652052207	1.049 715 0652053307
800	465 322 0651051108	633 433 0652052108	842 578 0652052208	1.199 817 0652053308
900	524 362 0651051109	712 487 0652052109	948 650 0652052209	1.348 919 0652053309
1000	582 402 0651051110	791 541 0652052110	1.053 722 0652052210	1.498 1.021 0652053310
1100	639 442 0651051111	870 595 0652052111	1.158 794 0652052211	1.648 1.123 0652053311
1200	698 483 0651051112	949 649 0652052112	1.263 866 0652052212	1.798 1.225 0652053312
1400	814 563 0651051114	1.107 757 0652052114	1.474 1.010 0652052214	2.098 1.430 0652053314
1600	930 643 0651051116	1.265 865 0652052116	1.685 1.155 0652052216	2.397 1.634 0652053316
1800	1.047 724 0651051118	1.424 974 0652052118	1.895 1.299 0652052218	2.697 1.838 0652053318
2000	1.163 804 0651051120	1.582 1.082 0652052120	2.106 1.444 0652052220	2.996 2.042 0652053320
2200	1.279 885 0651051122	1.740 1.190 0652052122	2.316 1.588 0652052222	3.296 2.246 0652053322
2400	1.396 965 0651051124	1.898 1.298 0652052124	2.526 1.732 0652052224	3.596 2.451 0652053324
2600			2.738 1.877 0652052226	
2800			2.948 2.021 0652052228	
3000			3.158 2.165 0652052230	

Core assortment (Henrad white 9016) available ex factory within 10 days.
Core assortment is subject to change, please refer to www.henrad.eu for the latest information.
Delivery time depends on the model, please refer to your distributor.

EVEREST PLAN 8

Art. 0652 09 22 04

On the label:
8-CONNECTIONS PLAN T21-33: 0652
T11: 0651 H900
8-CONNECTIONS PLAN L (Left) T21-33: 0650 T22 L400

HENRAD NV/PL20/0002/E001

Height	600			
	11	21	22	33
Type	11	21	22	33
W/m 75/65/20°C	911	1.227	1.634	2.332
400	274 190 0651061104	365 250 0652062104	487 333 0652062204	691 470 0652063304
500	343 238 0651061105	457 312 0652062105	608 416 0652062205	864 587 0652063305
600	412 286 0651061106	548 374 0652062106	730 499 0652062206	1.037 705 0652063306
700	480 333 0651061107	639 437 0652062107	852 583 0652062207	1.209 822 0652063307
800	549 381 0651061108	731 500 0652062108	973 666 0652062208	1.383 940 0652063308
900	617 428 0651061109	822 562 0652062109	1.096 749 0652062209	1.556 1.057 0652063309
1000	686 476 0651061110	913 624 0652062110	1.217 832 0652062210	1.728 1.174 0652063310
1100	754 523 0651061111	1.005 687 0652062111	1.338 915 0652062211	1.901 1.292 0652063311
1200	823 571 0651061112	1.096 749 0652062112	1.460 999 0652062212	2.074 1.409 0652063312
1400	960 666 0651061114	1.279 874 0652062114	1.704 1.165 0652062214	2.420 1.644 0652063314
1600	1.098 761 0651061116	1.461 999 0652062116	1.947 1.331 0652062216	2.765 1.879 0652063316
1800	1.235 857 0651061118	1.644 1.124 0652062118	2.190 1.498 0652062218	3.111 2.114 0652063318
2000	1.372 952 0651061120	1.827 1.249 0652062120	2.434 1.665 0652062220	3.457 2.349 0652063320
2200	1.509 1.047 0651061122	2.009 1.373 0652062122	2.677 1.831 0652062222	3.802 2.584 0652063322
2400	1.646 1.142 0651061124	2.192 1.498 0652062124	2.921 1.998 0652062224	4.148 2.819 0652063324
2600			3.164 2.164 0652062226	
2800			3.407 2.330 0652062228	
3000			3.651 2.497 0652062230	

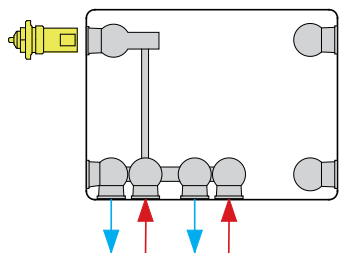
700			
11	21	22	33
1.038	1.387	1.848	2.637
312 216 0651071104	413 283 0652072104	549 374 0652072204	782 531 0652073304
390 270 0651071105	517 354 0652072105	686 468 0652072205	977 664 0652073305
468 324 0651071106	620 424 0652072106	824 562 0652072206	1.172 796 0652073306
547 378 0651071107	723 495 0652072107	961 655 0652072207	1.368 929 0652073307
624 432 0651071108	827 566 0652072108	1.098 749 0652072208	1.563 1.062 0652073308
702 486 0651071109	930 636 0652072109	1.235 842 0652072209	1.758 1.195 0652073309
780 540 0651071110	1.033 707 0652072110	1.373 936 0652072210	1.954 1.328 0652073310
859 594 0651071111	1.137 778 0652072111	1.510 1.030 0652072211	2.150 1.461 0652073311
937 649 0651071112	1.239 848 0652072112	1.648 1.123 0652072212	2.344 1.593 0652073312
1.092 756 0651071114	1.447 989 0652072114	1.922 1.310 0652072214	2.736 1.859 0652073314
1.249 865 0651071116	1.653 1.131 0652072116	2.197 1.498 0652072216	3.126 2.124 0652073316
1.404 972 0651071118	1.860 1.272 0652072118	2.471 1.684 0652072218	3.517 2.390 0652073318
1.561 1.081 0651071120	2.066 1.413 0652072120	2.746 1.872 0652072220	3.908 2.655 0652073320

900			
11	21	22	33
1.260	1.690	2.251	3.225
378 261 0651091104	504 345 0652092104	665 451 0652092204	956 649 0652093304
472 326 0651091105	630 432 0652092105	832 564 0652092205	1.194 811 0652093305
567 391 0651091106	756 518 0652092106	999 676 0652092206	1.433 973 0652093306
661 456 0651091107	882 605 0652092107	1.165 789 0652092207	1.673 1.136 0652093307
756 521 0651091108	1.008 691 0652092108	1.331 902 0652092208	1.911 1.298 0652093308
850 586 0651091109	1.134 777 0652092109	1.498 1.014 0652092209	2.150 1.460 0652093309
945 651 0651091110	1.260 864 0652092110	1.664 1.127 0652092210	2.389 1.622 0652093310
1.039 717 0651091111	1.386 950 0652092111	1.830 1.240 0652092211	2.628 1.785 0652093311
1.133 782 0651091112	1.513 1.036 0652092112	1.997 1.352 0652092212	2.867 1.947 0652093312
1.322 912 0651091114	1.765 1.209 0652092114	2.329 1.578 0652092214	3.344 2.271 0652093314
1.511 1.042 0651091116	2.017 1.382 0652092116	2.662 1.803 0652092216	3.822 2.596 0652093316
1.700 1.173 0651091118	2.269 1.554 0652092118	2.995 2.029 0652092218	4.300 2.920 0652093318
1.889 1.303 0651091120	2.521 1.727 0652092120	3.328 2.254 0652092220	4.778 3.245 0652093320

CONNECTION POSSIBILITIES

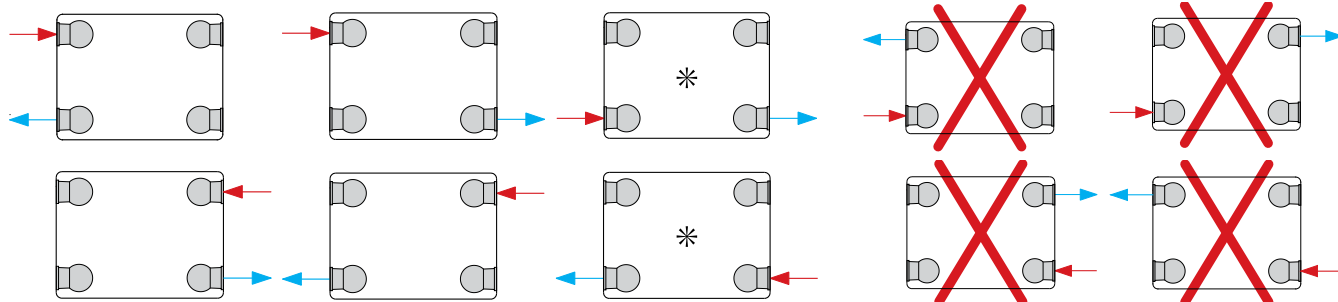
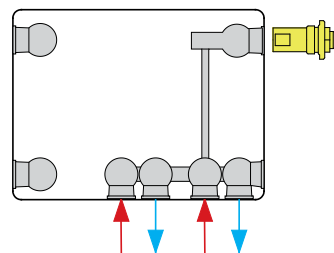
Types 21 / 22 / 33

Radiator with insert on the left hand side



Types 11 / 21 / 22 / 33

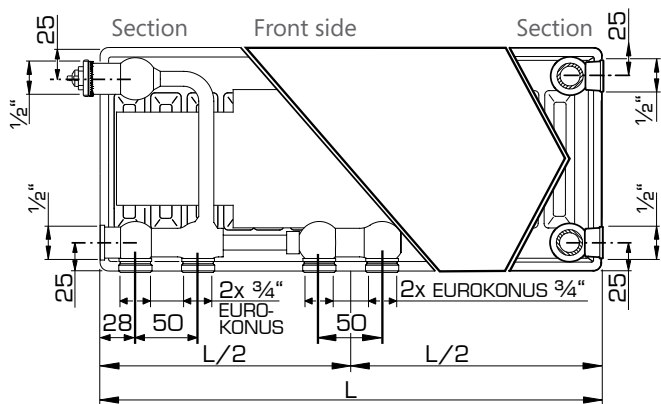
Radiator with insert on the right hand side



When connecting as a compact radiator the valve insert has to be removed and plastic plugs have to be replaced with brass plugs.
 * = a reduction in heatoutput will occur when combining low temperature heating with a high temperature difference between inlet and outlet.

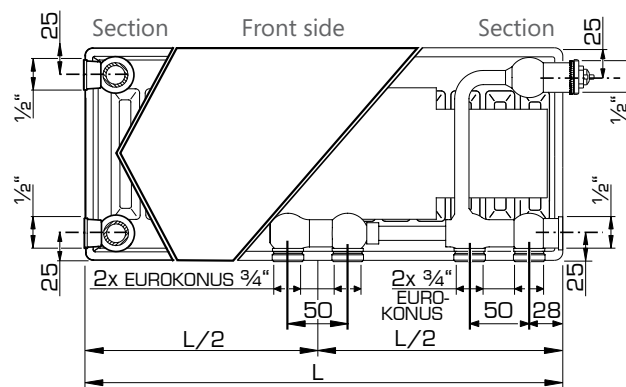
MOUNTING DIMENSIONS

Types 21 / 22 / 33



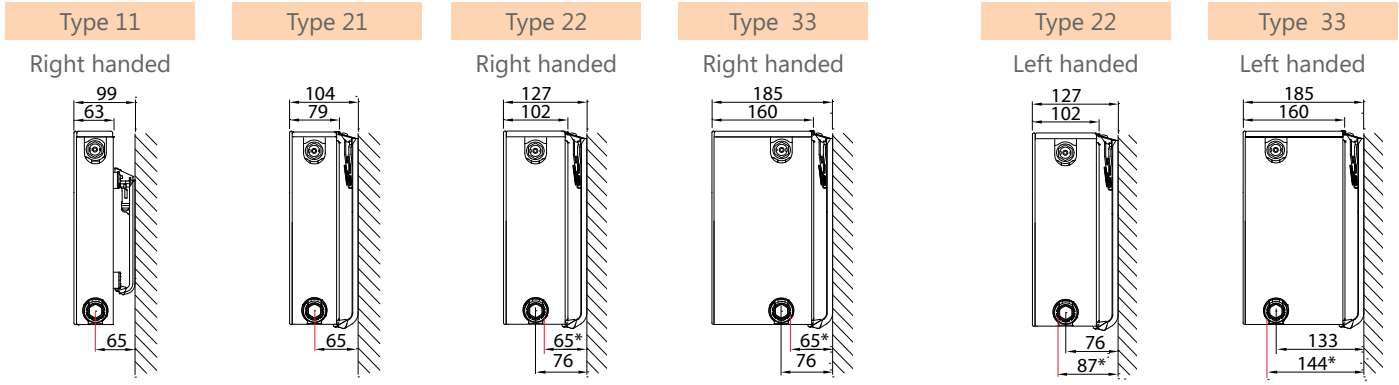
Radiator with insert on the left hand side

Types 11 / 21 / 22 / 33



Radiator with insert on the right hand side

J-BRACKETS (TYPE MONCLAC VDI 6036)



* centre connection only

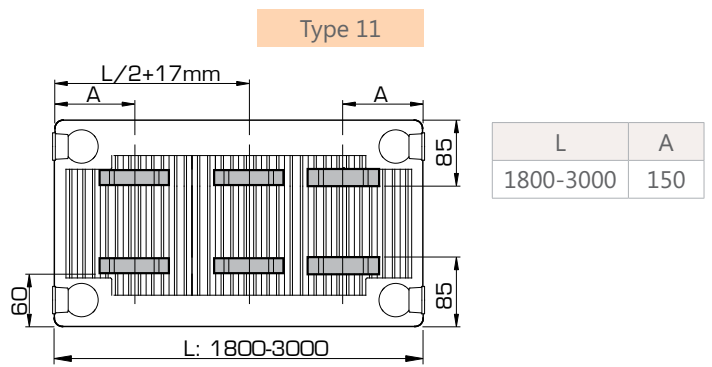
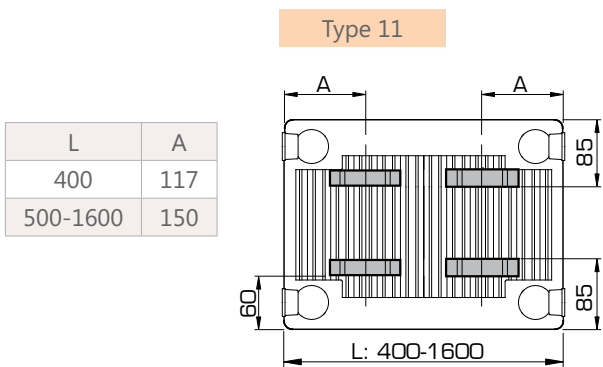
* centre connection only

Type 11		Art. N°.		Height	
J-bracket VDI 6036 Cl.3	x	y	2 pcs.	3 pcs.	mm
	/	140	R509203	R509303	300
	103	240	R509204	R509304	400
	103	340	R509205	R509305	500
	103	440	R509206	R509306	600
	103	540	R509207	R509307	700
	103	740	R509209	R509309	900

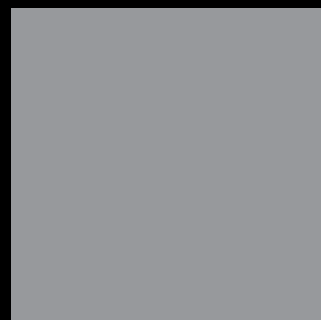
Types 21-33			Art. N°.		Height
J-bracket VDI 6036 Class 3	x	y	2 pcs.	3 pcs.	mm
	64	190	R510203	R510303	300
	64	290	R510204	R510304	400
	64	390	R510205	R510305	500
	64	490	R510206	R510306	600
	64	590	R510207	R510307	700
	64	790	R510209	R510309	900

For lengths from 1800 mm: 3 brackets needed.

LUG POSITIONS TYPE 11



Australia • Belgium • Cyprus • Czechia • France • Germany • Greece • Iceland • Lithuania
Luxembourg • Norway • Poland • Slovenia • Sweden • The Netherlands • Tunisia • Ukraine



HENRAD

Henrad nv
Welvaartstraat 14 box 6 • 2200 Herentals • Belgium

WWW.HENRAD.EU

