



HENRAD

DISCOVER COMPACT LINE



GENERAL INFORMATION

COMPACT LINE

Like the Compact Plan the Compact Line radiator includes a stylish flat front, close-fitting side panels and a decorative upper grille. Combined with the Everest Line and Alto Line models they'll preserve a matching look throughout your home.

Product:	the decorative encased panel radiator with a stylish front plate
Finishing:	decorative stylish front with upper grille and side panels
Also supplied:	VDI brackets with anti-lift (type Monclac), screw, plugs, air vent, blind plug and installation instructions
Connections:	4 x ½" female connection
Lugs:	2 pairs of mounting lugs up to 1.600 mm and 3 pairs from 1.800 mm
Packaging:	Every radiator is sturdily packaged in high-quality cardboard and wrapped in plastic. The radiator's characteristics are shown on the label: type – height – length.
Warranty:	10 years, as long as the installation instructions have been followed and Henrad's warranty conditions have been met.
Paint process:	All radiators are degreased, phosphated, cataphoretically primed and powder-coated in Henrad white 9016 as standard.
Colours:	Henrad white 9016 + 35 different Henrad colours and about 200 RAL-colours are possible
Max. operating pressure:	10 bar (tested to 13 bar)
Max. operating temperature:	110 °C
Conformity:	in accordance with EN442
Quality assurance:	NF
Types:	11 21 22 33
Heights:	300 400 500 600 700 900 mm
Lengths:	400 – 2.000 mm
Depths:	63 79 102 160 mm



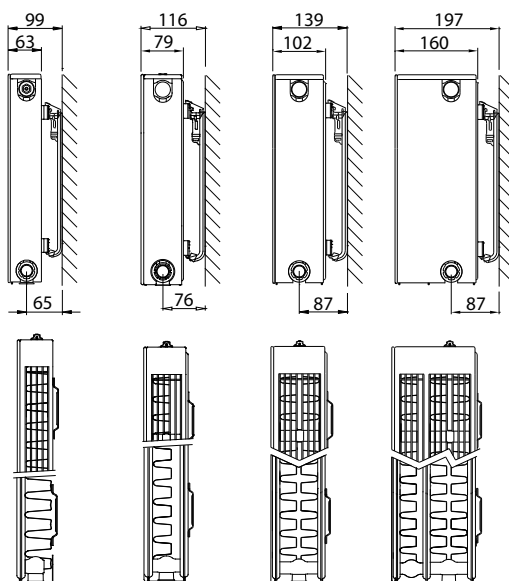
2014

TYPE OVERVIEW

Calculation factor
per meter
at 75/65/20°C
according to EN442

Characteristic equation:

$$\Phi = K_M \times \Delta T^n$$



Height		T11	T21	T22	T33	Centre distance
300	W			898	1.287	250
	kg			19,30	27,60	
	l			3,10	5,40	
	m ²			3,51	5,26	
	n			1,30	1,30	
400	W	614	870	1.153	1.649	350
	kg	16,20	22,60	25,67	36,63	
	l	2,30	4,15	4,13	6,63	
	m ²	2,95	3,37	4,92	7,38	
	n	1,27	1,30	1,30	1,31	
500	W	746	1.038	1.388	1.979	450
	kg	20,23	28,00	32,03	45,67	
	l	2,77	5,20	5,17	7,87	
	m ²	3,80	4,31	6,33	9,49	
	n	1,28	1,30	1,31	1,32	
600	W	870	1.196	1.601	2.280	550
	kg	24,27	33,60	38,40	54,70	
	l	3,23	6,25	6,20	9,10	
	m ²	4,66	5,24	7,74	11,61	
	n	1,28	1,31	1,31	1,32	
700	W	987	1.350	1.796	2.553	650
	kg	28,30	39,20	44,70	63,60	
	l	3,70	7,30	7,03	10,63	
	m ²	5,51	6,18	9,15	13,72	
	n	1,28	1,31	1,32	1,33	
900	W	1.200	1.649	2.132	3.022	850
	kg	35,90	50,60	57,30	81,40	
	l	4,50	9,00	8,70	13,70	
	m ²	7,22	8,05	11,97	17,96	
	n	1,28	1,32	1,32	1,33	

W=heat output per meter / kg=weight per meter / l=content per meter / m²=surface per meter / n=exponent
The manufacturer reserves the right to alter any of the specifications shown in this document without prior notice.

COMPACT LINE

HEAT OUTPUTS IN WATT ACCORDING TO EN442



EN442 (W) 70/50/20°C

EN442 (W) 55/45/20°C

Height	300	
Type	22	33
W/m 75/65/20°C	898	1.287
400		
500	336 231 0453032205	482 331 0453033305
600		
700		
800	537 370 0453032208	770 530 0453033308
900	605 416 0453032209	866 596 0453033309
1000	672 463 0453032210	963 662 0453033310
1200	807 555 0453032212	1.155 794 0453033312
1400	941 648 0453032214	1.348 927 0453033314
1600	1.076 740 0453032216	1.540 1.059 0453033316
1800	1.210 833 0453032218	1.733 1.192 0453033318
2000	1.344 925 0453032220	1.925 1.324 0453033320

400			
11	21	22	33
614	870	1.153	1.649
231 160 0453041105	326 224 0453042105	431 296 0453042205	615 422 0453043305
277 192 0453041106	391 269 0453042106	517 356 0453042206	739 507 0453043306
324 224 0453041107	456 314 0453042107	603 415 0453042207	862 592 0453043307
370 256 0453041108	521 359 0453042108	689 474 0453042208	985 676 0453043308
416 289 0453041109	586 404 0453042109	776 533 0453042209	1.108 761 0453043309
462 320 0453041110	652 449 0453042110	862 593 0453042210	1.231 845 0453043310
555 385 0453041112	782 539 0453042112	1.035 711 0453042212	1.478 1.014 0453043312
647 449 0453041114	912 628 0453042114	1.207 829 0453042214	1.724 1.184 0453043314
739 512 0453041116	1.043 718 0453042116	1.379 948 0453042216	1.970 1.352 0453043316
832 577 0453041118	1.173 808 0453042118	1.551 1.066 0453042218	2.217 1.521 0453043318
924 641 0453041120	1.303 898 0453042120	1.724 1.185 0453042220	2.463 1.690 0453043320

500			
11	21	22	33
746	1.038	1.388	1.979
224 155 0453051104	310 213 0453052104	414 284 0453052204	591 405 0453053304
281 194 0453051105	388 267 0453052105	518 356 0453052205	738 506 0453053305
337 234 0453051106	466 320 0453052106	622 427 0453052206	885 606 0453053306
393 272 0453051107	544 374 0453052107	726 498 0453052207	1.033 707 0453053307
449 311 0453051108	621 427 0453052108	829 569 0453052208	1.180 809 0453053308
505 350 0453051109	698 480 0453052109	933 640 0453052209	1.328 910 0453053309
561 389 0453051110	776 534 0453052110	1.036 711 0453052210	1.476 1.011 0453053310
673 467 0453051112	932 641 0453052112	1.244 854 0453052212	1.771 1.213 0453053312
785 544 0453051114	1.087 747 0453052114	1.451 996 0453052214	2.066 1.415 0453053314
898 622 0453051116	1.242 854 0453052116	1.658 1.138 0453052216	2.361 1.617 0453053316
1.010 700 0453051118	1.397 960 0453052118	1.865 1.280 0453052218	2.656 1.819 0453053318
1.123 778 0453051120	1.552 1.067 0453052120	2.073 1.423 0453052220	2.951 2.022 0453053320

HENRAD NV/PLB/0004/E014

Core assortment (Henrad white 9016) available ex factory within 10 days.
Core assortment is subject to change, please refer to www.henrad.eu for the latest information.
Delivery time depends on the model, please refer to your distributor.

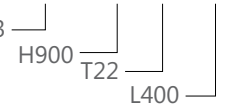
COMPACT LINE

HEAT OUTPUTS IN WATT ACCORDING TO EN442



On the label:
COMPACT DECO T11-33:

Art. 0453 09 22 04



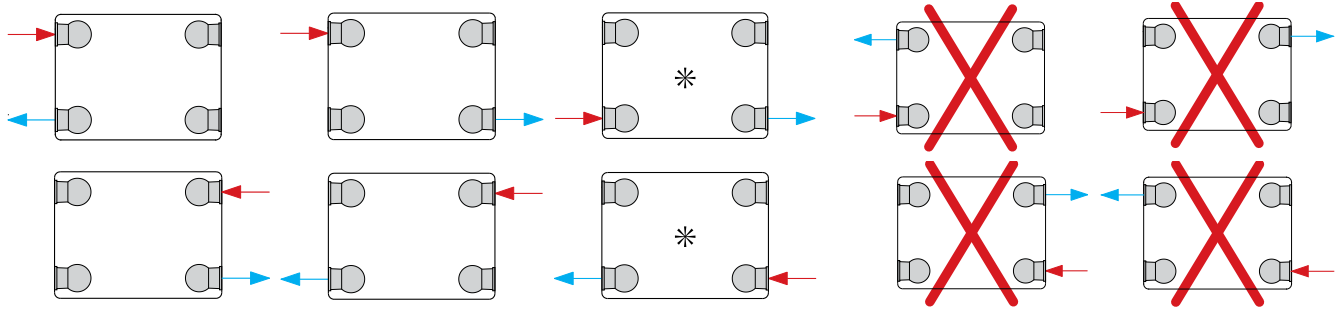
HENRAD_NVP/110/0004/0014

Height	600			
	11	21	22	33
Type	11	21	22	33
W/m 75/65/20°C	870	1.196	1.601	2.280
400	262 181 0453061104	357 245 0453062104	477 327 0453062204	679 464 0453063304
500	327 227 0453061105	447 307 0453062105	597 409 0453062205	849 580 0453063305
600	393 272 0453061106	536 368 0453062106	717 491 0453062206	1.018 696 0453063306
700	458 317 0453061107	625 430 0453062107	836 573 0453062207	1.188 812 0453063307
800	523 363 0453061108	715 491 0453062108	955 655 0453062208	1.358 928 0453063308
900	589 408 0453061109	804 552 0453062109	1.075 736 0453062209	1.528 1.044 0453063309
1000	654 453 0453061110	894 614 0453062110	1.194 818 0453062210	1.697 1.160 0453063310
1200	785 544 0453061112	1.072 736 0453062112	1.433 982 0453062212	2.037 1.392 0453063312
1400	916 634 0453061114	1.251 859 0453062114	1.671 1.145 0453062214	2.376 1.625 0453063314
1600	1.047 725 0453061116	1.430 982 0453062116	1.911 1.309 0453062216	2.716 1.857 0453063316
1800	1.178 816 0453061118	1.609 1.105 0453062118	2.149 1.473 0453062218	3.055 2.089 0453063318
2000	1.309 906 0453061120	1.787 1.227 0453062120	2.388 1.636 0453062220	3.395 2.321 0453063320

700			
11	21	22	33
987	1.350	1.796	2.553
297 206 0453071104	403 277 0453072104	535 366 0453072204	760 519 0453073304
371 257 0453071105	504 346 0453072105	669 458 0453072205	949 648 0453073305
445 308 0453071106	605 415 0453072106	803 550 0453072206	1.140 778 0453073306
519 360 0453071107	705 484 0453072107	937 641 0453072207	1.329 908 0453073307
594 411 0453071108	806 553 0453072108	1.071 733 0453072208	1.519 1.037 0453073308
668 462 0453071109	907 622 0453072109	1.204 824 0453072209	1.710 1.167 0453073309
742 514 0453071110	1.008 691 0453072110	1.338 916 0453072210	1.899 1.297 0453073310
890 616 0453071112	1.209 830 0453072112	1.606 1.099 0453072212	2.279 1.557 0453073312
1.039 719 0453071114	1.411 968 0453072114	1.874 1.282 0453072214	2.659 1.816 0453073314
1.187 822 0453071116	1.613 1.106 0453072116	2.142 1.466 0453072216	3.039 2.075 0453073316
1.336 925 0453071118	1.814 1.245 0453072118	2.409 1.649 0453072218	3.418 2.334 0453073318
1.484 1.027 0453071120	2.016 1.383 0453072120	2.677 1.832 0453072220	3.798 2.594 0453073320

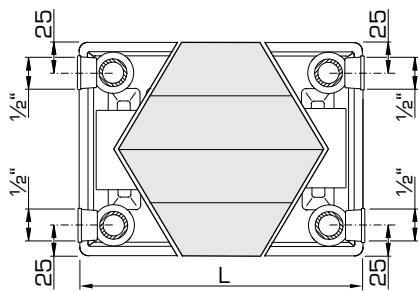
900			
11	21	22	33
1.200	1.649	2.132	3.022
361 250 0453091104	492 337 0453092104	635 434 0453092204	898 612 0453093304
451 312 0453091105	614 421 0453092105	793 542 0453092205	1.122 765 0453093305
541 375 0453091106	737 505 0453092106	952 650 0453092206	1.347 918 0453093306
632 437 0453091107	860 589 0453092107	1.110 759 0453092207	1.571 1.071 0453093307
722 500 0453091108	983 673 0453092108	1.270 867 0453092208	1.796 1.224 0453093308
812 562 0453091109	1.106 758 0453092109	1.428 976 0453092209	2.020 1.377 0453093309
902 625 0453091110	1.229 842 0453092110	1.587 1.084 0453092210	2.245 1.530 0453093310
1.083 750 0453091112	1.475 1.011 0453092112	1.904 1.300 0453092212	2.693 1.836 0453093312
1.263 875 0453091114	1.722 1.179 0453092114	2.221 1.518 0453092214	3.143 2.142 0453093314
1.444 1.000 0453091116	1.967 1.347 0453092116	2.538 1.734 0453092216	3.591 2.448 0453093316
1.624 1.125 0453091118	2.213 1.515 0453092118	2.856 1.951 0453092218	4.041 2.754 0453093318
1.805 1.250 0453091120	2.459 1.684 0453092120	3.173 2.168 0453092220	4.489 3.060 0453093320

CONNECTION POSSIBILITIES



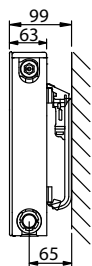
* = a reduction in heatoutput will occur when combining low temperature heating with a high temperature difference between inlet and outlet.

MOUNTING DIMENSIONS

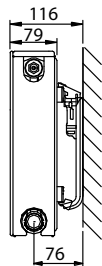


J-BRACKETS (TYPE MONCLAC VDI 6036)

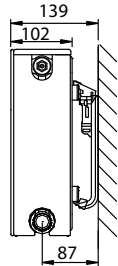
Type 11



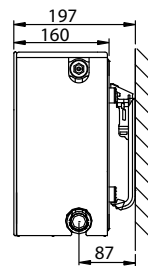
Type 21



Type 22



Type 33



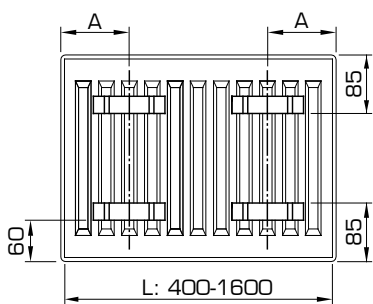
Types 11-33 J-bracket VDI 6036 Class 3	x	y	Art. N°.		Height mm
			2 pcs.	3 pcs.	
	/	140	R509203	R509303	300
	103	240	R509204	R509304	400
	103	340	R509205	R509305	500
	103	440	R509206	R509306	600
	103	540	R509207	R509307	700
	103	640	R509208	R509308	800
	103	740	R509209	R509309	900

For lengths above 1600 mm: 3 brackets needed.

LUG POSITIONS

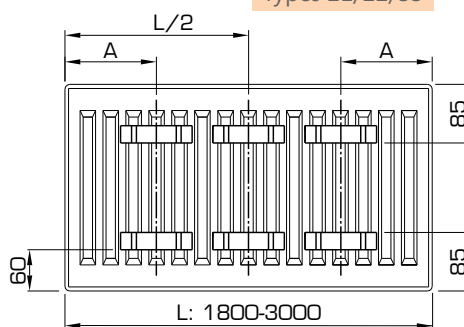
Types 21/22/33

L	A
400-1600	133



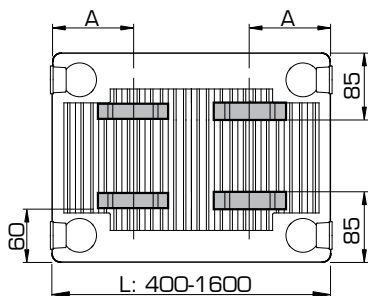
Types 21/22/33

L	A
1800-3000	133



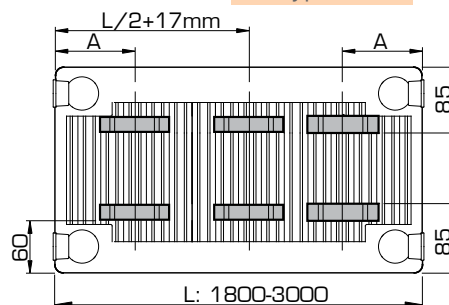
Type 11

L	A
400	117
500-1600	150

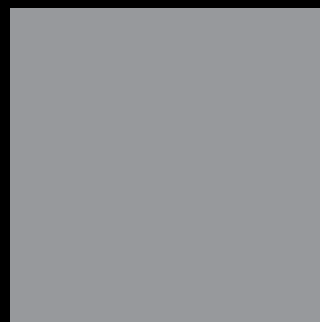


Type 11

L	A
1800-3000	150



Australia • Belgium • Cyprus • Czechia • France • Germany • Greece • Iceland • Lithuania
Luxembourg • Norway • Poland • Slovenia • Sweden • The Netherlands • Tunisia • Ukraine



HENRAD

Henrad nv
Welvaartstraat 14 box 6 • 2200 Herentals • Belgium

WWW.HENRAD.EU

