



HENRAD

DISCOVER HYGIENE RADIATORS



GENERAL INFORMATION

HYGIENE ECO

Low-temperature panel radiator made from high-quality steel, with serial flow technology (water flows first through the front panel). This results in high energy efficiency, maximum radiation (even in low-temperature heating systems), faster heating rate and less waste of energy.

Product:	the low-temperature valve radiator specifically developed for environments where hygiene and safety are all-important, with serial flow technology, both a centre and lateral bottom connection and a preset valve insert, which can be fitted on the left or right side of the radiator without upper grille or side panels and without convection fins
Finishing:	preset Heimeier 4368 or 4369 valve insert, ECO air vent and blind plugs
Pre-installed:	The integrated adjustable valve insert (without thermostatic head) is factory-fit on the right side of the radiator, CEN certified, tested in accordance with EN215 and compatible with thermostatic heads M30 x 1,5 mm.
Valve insert:	For types 20 and 30 the valve insert can also be fitted on the left side of the radiator, a left version for a type 10 radiator is available on request. The thermostatic valve insert is factory-set in relation to the size of the radiator. This presetting ensures optimum throughput in the radiator. Factory setting for two-pipe systems, also suitable for one-pipe systems (as long as the valve insert is adjusted to position 8).
Also supplied:	VDI brackets with anti-lift (type Monclac), screws, plugs, air vent, blind plug and installation instructions
Connections:	2 x 3/4" male Eurocone centre connection and 2 x 1/2" female lateral bottom connection. Left version (types 20-30) only with 2 x 1/2" female lateral bottom connection.
Lugs:	2 pairs of mounting lugs up to 1.600 mm and 3 pairs from 1.800 mm
Packaging:	Every radiator is sturdily packaged in high-quality cardboard and wrapped in plastic. The radiator's characteristics are shown on the label: type – height – length.
Warranty:	10 years, as long as the installation instructions have been followed and Henrad's warranty conditions have been met.
Paint process:	All radiators are degreased, phosphated, cathodically primed and powder-coated in Henrad white 9016 as standard.
Colours:	Henrad white 9016 + 35 different Henrad colours and about 200 RAL-colours are possible
Heat cost allocator:	Suitable for heat cost allocators, both electronic and according to the evaporation principle (covered by the norm of EN834 & EN835).
Max. operating pressure:	10 bar (tested to 13 bar)
Max. operating temperature:	110 °C
Conformity:	in accordance with EN442
Quality assurance:	Hygiene
Types:	10 20 30
Heights:	300 400 500 600 700 900 mm
Lengths:	400 – 3.000 mm
Depths:	47 77 158 mm

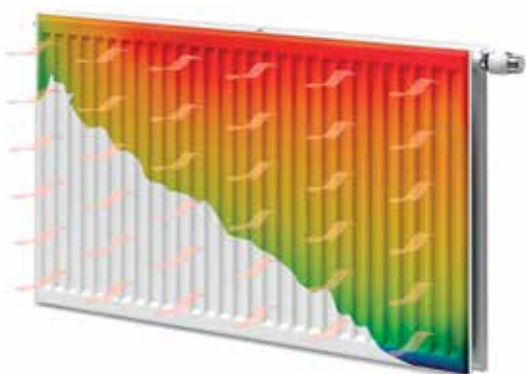


GENERAL INFORMATION

HYGIENE ECO GALVA

The ECO radiator and its serial flow technology are perfectly suited to operate in low-temperature heating systems. This technology (water flows first through the front panel) results in higher energy efficiency, maximum radiation, faster heating rate and less waste of energy through the back wall. In addition, the Hygiene ECO Galva radiator is treated with a protective galvanised coating, so it can be used without any concerns in wet areas.

Product:	low-temperature valve radiator with serial flow technology, perfectly suited for low-temperature heating systems, specifically developed for environments where hygiene and safety are all-important and equipped with a protective galvanised coating underneath, both a centre and lateral bottom connection and a preset valve insert, which can be fitted on the left or right side of the radiator
Finishing:	protective galvanised coating without top grille or side panels and without convection fins
Pre-installed:	preset Heimeier 4368 or 4369 valve insert, ECO air vent and blind plugs
Valve insert:	The integrated adjustable valve insert (without thermostatic head) is factory-fit on the right side of the radiator, CEN certified, tested in accordance with EN215 and compatible with thermostatic heads M30 x 1,5 mm. For types 20 and 30 the valve insert can also be fitted on the left side of the radiator. The thermostatic valve insert is factory-set in relation to the size of the radiator. This presetting ensures optimum throughput in the radiator. Factory setting for two-pipe systems, also suitable for one-pipe systems (as long as the valve insert is adjusted to position 8).
Also supplied:	VDI brackets with anti-lift (type Monclac), screws, plugs, air vent, blind plug and installation instructions
Connections:	2 x 3/4" male Eurocone centre connection and 2 x 1/2" female lateral bottom connection
Lugs:	2 pairs of mounting lugs up to 1.600 mm and 3 pairs from 1.800 mm
Packaging:	Every radiator is sturdily packaged in high-quality cardboard and wrapped in plastic. The product description is shown on the label: type – height – length.
Warranty:	10 years, as long as the installation instructions have been followed and Henrad's warranty conditions have been met.
Paint process:	All radiators are galvanised, degreased, phosphated, cathodically primed and powder-coated in Henrad white 9016 as standard.
Colours:	Henrad white 9016 + 35 different Henrad colours and about 200 RAL-colours are possible
Heat cost allocator:	Suitable for heat cost allocators, both electronic and according to the evaporation principle (covered by the norm of EN834 & EN835).
Max. operating pressure:	10 bar (tested to 13 bar)
Max. operating temperature:	110 °C
Conformity:	in accordance with EN442
Types:	10 20 30
Heights:	300 400 500 600 700 900 mm
Lengths:	400 – 3.000 mm
Depths:	47 77 158 mm



GENERAL INFORMATION

HYGIENE

The Hygiene radiator is a panel radiator without convection fins and without upper grille and side panels. The point of reference for each project where hygiene is of great importance.

Product:	the naked panel radiator without convection fins
Finishing:	without upper grille and side panels
Also supplied:	VDI brackets with anti-lift (type Monclac), screws, plugs, blind plug, air vent and installation instructions
Connections:	4 x ½" female connection
Lugs:	2 pairs of mounting lugs up to 1.600 mm and 3 pairs from 1.800 mm
Packaging:	Every radiator is sturdily packaged in high-quality cardboard and wrapped in plastic. The radiator's characteristics are shown on the label: type – height – length.
Warranty:	10 years, as long as the installation instructions have been followed and Henrad's warranty conditions have been met.
Paint process:	All radiators are degreased, phosphated, cathodically primed and powder-coated in Henrad white 9016 as standard.
Colours	Henrad white 9016 + 35 different Henrad colours and about 200 RAL-colours are possible
Heat cost allocator:	Suitable for heat cost allocators, both electronic and according to the evaporation principle (covered by the norm of EN834 & EN835).
Max. operating pressure:	10 bar (tested to 13 bar)
Max. operating temperature:	110 °C
Conformity:	in accordance with EN442
Quality assurance:	NF
Types:	10 20 30
Heights:	300 400 500 600 700 900 mm
Lengths:	400 – 3.000 mm
Depths:	47 77 158 mm



2015

GENERAL INFORMATION

HYGIENE GALVA

A standard Hygiene radiator with an extra protective galvanised coating for humid spaces.
The ideal panel radiator for your bathroom.

Product:	the naked panel radiator without convection fins and with a protective galvanised coating
Finishing:	protective galvanised coating, without upper grille and side panels
Also supplied:	VDI brackets with anti-lift (type Monclac), screws, plugs, blind plug, air vent and installation instructions
Connections:	4 x ½" female connection
Lugs:	2 pairs of mounting lugs up to 1.600 mm and 3 pairs from 1.800 mm
Packaging:	Every radiator is sturdily packaged in high-quality cardboard and wrapped in plastic. The radiator's characteristics are shown on the label: type – height – length.
Warranty:	10 years, as long as the installation instructions have been followed and Henrad's warranty conditions have been met.
Paint process:	All radiators are degreased, phosphated, cathodically primed and powder-coated in Henrad white 9016 as standard.
Colours:	Henrad white 9016 + 35 different Henrad colours and about 200 RAL-colours are possible
Heat cost allocator:	Suitable for heat cost allocators, both electronic and according to the evaporation principle (covered by the norm of EN834 & EN835).
Max. operating pressure:	10 bar (tested to 13 bar)
Max. operating temperature:	110 °C
Conformity:	in accordance with EN442
Types:	10 20 30
Heights:	300 400 500 600 700 900 mm
Lengths:	400 – 3.000 mm
Depths:	47 77 158 mm



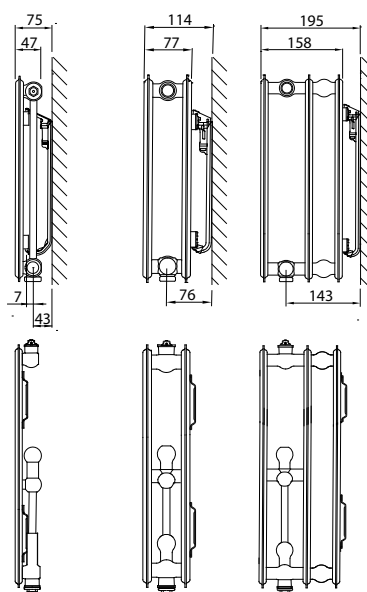
HYGIENE ECO & HYGIENE ECO GALVA

TYPE OVERVIEW

Calculation factor
per meter
at 75/65/20°C
according to EN442

Characteristic equation:

$$\Phi = K_M \times \Delta T^n$$



Height		T10	T20	T30	Height
300	W	338	585	867	300
	kg	6,17	11,57	17,80	
	l	1,89	3,71	5,50	
	m ²	0,68	1,37	2,04	
	n	1,28	1,27	1,30	
400	W	430	732	1.074	400
	kg	8,22	15,35	23,27	
	l	2,34	4,71	7,07	
	m ²	0,91	1,83	2,73	
	n	1,29	1,28	1,30	
500	W	521	879	1.275	500
	kg	10,28	19,12	28,73	
	l	2,80	5,70	8,63	
	m ²	1,14	2,28	3,42	
	n	1,30	1,28	1,30	
600	W	610	1.023	1.470	600
	kg	12,33	22,90	34,20	
	l	3,25	6,70	10,20	
	m ²	1,37	2,74	4,11	
	n	1,31	1,29	1,31	
700	W	699	1.167	1.659	700
	kg	14,19	26,83	40,10	
	l	3,77	7,57	11,33	
	m ²	1,60	3,20	4,79	
	n	1,32	1,29	1,31	
900	W	877	1.458	2.034	900
	kg	17,90	34,70	51,90	
	l	4,80	9,30	13,60	
	m ²	2,06	4,12	6,17	
	n	1,33	1,30	1,32	

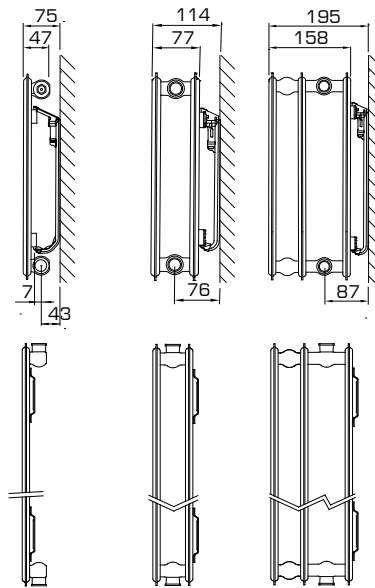
W=heat output per meter / kg=weight per meter / l=content per meter / m²=surface per meter / n=exponent
The manufacturer reserves the right to alter any of the specifications shown in this document without prior notice.

TYPE OVERVIEW

Calculation factor
per meter
at 75/65/20°C
according to EN442

Characteristic equation:

$$\Phi = K_M \times \Delta T^n$$



Height		T10	T20	T30	Centre distance
300	W	338	571	859	250
	kg	6,17	11,64	17,90	
	l	1,89	3,70	5,20	
	m ²	0,68	1,37	2,04	
	n	1,28	1,34	1,30	
400	W	430	730	1.073	350
	kg	8,22	15,86	23,37	
	l	2,34	4,67	6,57	
	m ²	0,91	1,83	2,73	
	n	1,29	1,33	1,30	
500	W	521	883	1.277	450
	kg	10,28	20,08	28,83	
	l	2,80	5,63	7,93	
	m ²	1,14	2,28	3,42	
	n	1,30	1,32	1,31	
600	W	610	1.031	1.474	550
	kg	12,33	24,30	34,30	
	l	3,25	6,60	9,30	
	m ²	1,37	2,74	4,11	
	n	1,31	1,32	1,31	
700	W	699	1.174	1.666	650
	kg	14,19	28,00	40,07	
	l	3,77	7,63	10,67	
	m ²	1,60	3,20	4,79	
	n	1,32	1,32	1,32	
900	W	877	1.449	2.039	850
	kg	17,90	35,40	51,60	
	l	4,80	9,70	13,40	
	m ²	2,06	4,12	6,17	
	n	1,33	1,33	1,33	

W=heat output per meter / kg=weight per meter / l=content per meter / m²=surface per meter / n=exponent
The manufacturer reserves the right to alter any of the specifications shown in this document without prior notice.

HYGIENE ECO & HYGIENE ECO GALVA

HEAT OUTPUTS IN WATT ACCORDING TO EN442



EN442 (W) 70/50/20°C

EN442 (W) 55/45/20°C

EN442 (W) 75/65/20°C

Height	300		
	10	20	30
400		176	260
		122	179
		234	347
500	127	220	325
	88	153	224
	169	293	434
600	152	264	389
	105	183	268
	203	351	520
700	178	309	454
	123	214	313
	237	410	607
800	203	352	520
	140	245	358
	270	468	694
900	228	396	584
	158	275	402
	304	527	780
1000	254	441	649
	176	306	447
	338	585	867
1100	279	485	714
	193	336	492
	372	644	954
1200	305	529	779
	211	367	536
	406	702	1.040
1400	355	617	909
	246	428	626
	473	819	1.214
1600		705	1.038
		489	715
		936	1.387
1800		793	1.169
		550	805
		1.053	1.561
2000		881	1.298
		611	894
		1.170	1.734
2200		969	1.428
		672	983
		1.287	1.907
2400		1.057	1.558
		734	1.073
		1.404	2.081
2600		1.145	
		795	
		1.521	
2800		1.234	
		856	
		1.638	
3000		1.322	
		917	
		1.755	

400		
10	20	30
	220	322
	153	221
	293	430
161	275	402
111	191	276
215	366	537
193	330	482
133	229	331
258	439	644
226	385	563
155	267	387
301	512	752
258	441	643
178	305	442
344	586	859
290	496	723
200	343	498
387	659	967
322	551	804
222	381	553
430	732	1.074
354	605	884
244	419	608
473	805	1.181
387	660	964
267	457	663
516	878	1.289
451	771	1.125
311	534	774
602	1.025	1.504
516	881	1.285
355	610	884
688	1.171	1.718
580	991	1.446
400	687	995
774	1.318	1.933
644	1.101	1.607
444	763	1.106
860	1.464	2.148
	1.211	1.768
	839	1.216
	1.610	2.363
	1.321	1.929
	915	1.327
	1.757	2.578
	1.431	
	991	
	1.903	
	1.542	
	1.068	
	2.050	
	1.652	
	1.144	
	2.196	

500		
10	20	30
	264	381
	183	262
	352	510
194	331	477
134	229	328
261	440	638
234	396	572
161	274	393
313	527	765
273	462	667
188	319	458
365	615	893
312	528	763
214	365	524
417	703	1.020
351	594	858
241	411	590
469	791	1.148
389	660	953
268	457	655
521	879	1.275
428	726	1.048
294	502	720
573	967	1.403
467	793	1.144
321	548	786
625	1.055	1.530
545	925	1.334
375	639	917
729	1.231	1.785
623	1.056	1.525
428	730	1.048
834	1.406	2.040
701	1.188	1.716
482	822	1.179
938	1.582	2.295
779	1.321	1.906
535	913	1.310
1.042	1.758	2.550
857	1.453	2.097
589	1.005	1.441
1.146	1.934	2.805
934	1.585	2.288
642	1.096	1.572
1.250	2.110	3.060
	1.716	
	1.187	
	2.285	
	1.849	
	1.278	
	2.461	
	1.981	
	1.370	
	2.637	

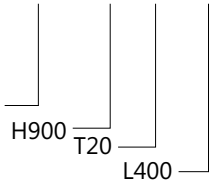
HYGIENE ECO & HYGIENE ECO GALVA

Art. 0692 09 20 04

HEAT OUTPUTS IN WATT ACCORDING TO EN442

On the label:

HYGIENE ECO T20-30: 0692
T10: 0691
HYGIENE ECO L (left handed) T20-30: 0690
T10: 0693
GALVA ECO T10-30: 0695



HENRAD NVP/L20/0002/E001

Height	600		
	10	20	30
400		307	439
		212	302
		409	588
500	227	384	549
	156	265	377
	305	512	735
600	273	461	659
	187	318	452
	366	614	882
700	318	537	769
	218	371	528
	427	716	1.029
800	364	614	879
	249	424	603
	488	818	1.176
900	409	691	988
	281	477	679
	549	921	1.323
1000	455	768	1.098
	312	530	754
	610	1.023	1.470
1100	500	844	1.208
	343	583	829
	671	1.125	1.617
1200	546	921	1.318
	374	636	905
	732	1.228	1.764
1400	637	1.074	1.537
	436	742	1.056
	854	1.432	2.058
1600	728	1.228	1.757
	499	848	1.206
	976	1.637	2.352
1800	819	1.381	1.977
	561	954	1.357
	1.098	1.841	2.646
2000	910	1.535	2.196
	623	1.060	1.508
	1.220	2.046	2.940
2200	1.001	1.689	2.416
	686	1.166	1.659
	1.342	2.251	3.234
2400	1.092	1.842	2.636
	748	1.272	1.810
	1.464	2.455	3.528
2600		1.996	
		1.378	
		2.660	
2800		2.149	
		1.484	
		2.864	
3000		2.303	
		1.590	
		3.069	

	700		
	10	20	30
		350	496
		241	340
		467	664
	261	438	620
	178	302	425
	350	584	830
	312	525	743
	214	362	510
	419	700	995
	364	612	867
	249	422	595
	489	817	1.161
	416	700	991
	285	482	680
	559	934	1.327
	469	787	1.115
	321	542	765
	629	1.050	1.493
	521	874	1.238
	356	603	850
	699	1.167	1.659
	573	962	1.362
	392	663	935
	769	1.284	1.825
	625	1.049	1.486
	428	723	1.020
	839	1.400	1.991
	729	1.224	1.734
	499	844	1.190
	979	1.634	2.323
	833	1.399	1.981
	570	964	1.359
	1.118	1.867	2.654
	937	1.574	2.229
	641	1.085	1.529
	1.258	2.101	2.986
	1.041	1.749	2.477
	712	1.206	1.699
	1.398	2.334	3.318

	900		
	10	20	30
		436	607
		299	415
		583	814
	325	545	758
	222	374	519
	439	729	1.017
	391	654	909
	267	449	623
	526	875	1.220
	456	763	1.061
	311	524	727
	614	1.021	1.424
	522	872	1.213
	356	599	830
	702	1.166	1.627
	586	981	1.365
	400	674	935
	789	1.312	1.831
	652	1.090	1.516
	444	749	1.038
	877	1.458	2.034
	717	1.199	1.667
	489	824	1.142
	965	1.604	2.237
	782	1.308	1.820
	533	899	1.246
	1.052	1.750	2.441
	913	1.526	2.123
	622	1.048	1.454
	1.228	2.041	2.848
	1.043	1.744	2.426
	711	1.198	1.661
	1.403	2.333	3.254
	1.173	1.961	2.729
	800	1.348	1.868
	1.579	2.624	3.661
	1.303	2.180	3.032
	889	1.497	2.076
	1.754	2.916	4.068

HYGIENE & HYGIENE GALVA

HEAT OUTPUTS IN WATT ACCORDING TO EN442



EN442 (W) 70/50/20°C

EN442 (W) 55/45/20°C

EN442 (W) 75/65/20°C

Height	300		
	10	20	30
400	101	169	257
	70	115	177
	135	228	344
500	127	212	322
	88	145	221
	169	286	430
600	152	255	385
	105	173	265
	203	343	515
700	178	297	450
	123	202	309
	237	400	601
800	203	339	514
	140	231	354
	270	457	687
900	228	382	578
	158	260	398
	304	514	773
1000	254	424	643
	176	289	442
	338	571	859
1100	279	466	707
	193	318	487
	372	628	945
1200	305	509	771
	211	346	531
	406	685	1.031
1400	355	593	900
	246	404	619
	473	799	1.203
1600		679	1.028
		462	707
		914	1.374
1800		763	1.157
		520	796
		1.028	1.546
2000		848	1.286
		577	885
		1.142	1.718
2200		932	1.414
		635	973
		1.256	1.890
2400		1.017	1.543
		693	1.062
		1.370	2.062
2600		1.102	
		751	
		1.485	
2800		1.187	
		808	
		1.599	
3000		1.272	
		866	
		1.713	

400		
10	20	30
129	217	321
89	148	221
172	292	429
161	271	401
111	185	276
215	365	537
193	326	482
133	222	331
258	438	644
226	380	562
155	259	386
301	511	751
258	434	642
178	296	441
344	584	858
290	488	722
200	333	497
387	657	966
322	543	802
222	370	552
430	730	1.073
354	597	882
244	407	607
473	803	1.180
387	651	963
267	444	662
516	876	1.288
451	760	1.123
311	518	772
602	1.022	1.502
516	868	1.284
355	592	883
688	1.168	1.717
580	977	1.444
400	666	993
774	1.314	1.931
644	1.085	1.605
444	740	1.103
860	1.460	2.146
	1.194	1.765
	815	1.214
	1.606	2.361
	1.302	1.925
	889	1.324
	1.752	2.575
	1.411	
	963	
	1.898	
	1.519	
	1.037	
	2.044	
	1.628	
	1.111	
	2.190	

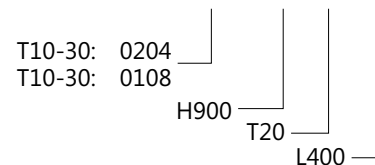
500		
10	20	30
155	263	382
107	180	262
208	353	511
194	329	477
134	225	327
261	442	639
234	395	572
161	270	393
313	530	766
273	460	668
188	314	459
365	618	894
312	526	764
214	359	524
417	706	1.022
351	592	859
241	404	590
469	795	1.149
389	657	954
268	449	655
521	883	1.277
428	723	1.050
294	494	721
573	971	1.405
467	789	1.145
321	539	786
625	1.060	1.532
545	920	1.336
375	629	918
729	1.236	1.788
623	1.052	1.527
428	719	1.048
834	1.413	2.043
701	1.183	1.718
482	808	1.180
938	1.589	2.299
779	1.315	1.908
535	899	1.311
1.042	1.766	2.554
857	1.446	2.099
589	989	1.442
1.146	1.943	2.809
934	1.577	2.290
642	1.078	1.573
1.250	2.119	3.065
	1.709	
	1.168	
	2.296	
	1.840	
	1.258	
	2.472	
	1.972	
	1.348	
	2.649	

HYGIENE & HYGIENE GALVA

HEAT OUTPUTS IN WATT ACCORDING TO EN442

On the label:
4-CONNECTIONS HYGIENE T10-30:
4-CONNECTIONS HYGIENE GALVA T10-30:

Art. 0204 09 20 04



HENRAD NVP/L20/0002/E001

Height	600		
	10	20	30
400	182	307	441
	125	210	302
	244	412	590
500	227	385	550
	156	263	378
	305	516	737
600	273	461	660
	187	316	453
	366	619	884
700	318	538	771
	218	369	529
	427	722	1.032
800	364	615	880
	249	421	604
	488	825	1.179
900	409	692	991
	281	474	680
	549	928	1.327
1000	455	769	1.101
	312	526	755
	610	1.031	1.474
1100	500	845	1.210
	343	579	830
	671	1.134	1.621
1200	546	922	1.321
	374	631	906
	732	1.237	1.769
1400	637	1.076	1.541
	436	737	1.057
	854	1.443	2.064
1600	728	1.230	1.761
	499	842	1.208
	976	1.650	2.358
1800	819	1.384	1.981
	561	947	1.359
	1.098	1.856	2.653
2000	910	1.537	2.201
	623	1.052	1.510
	1.220	2.062	2.948
2200	1.001	1.691	2.421
	686	1.158	1.662
	1.342	2.268	3.243
2400	1.092	1.844	2.642
	748	1.263	1.813
	1.464	2.474	3.538
2600		1.999	
		1.368	
		2.681	
2800		2.152	
		1.474	
		2.887	
3000		2.306	
		1.579	
		3.093	

700		
10	20	30
209	350	497
143	239	340
280	470	666
261	437	621
178	299	425
350	587	833
312	524	746
214	359	511
419	704	1.000
364	612	869
249	419	595
489	822	1.166
416	699	994
285	478	681
559	939	1.333
469	787	1.118
321	539	765
629	1.057	1.499
521	874	1.242
356	598	851
699	1.174	1.666
573	962	1.367
392	658	936
769	1.291	1.833
625	1.049	1.490
428	718	1.021
839	1.409	1.999
729	1.225	1.739
499	838	1.191
979	1.644	2.332
833	1.399	1.988
570	957	1.361
1.118	1.878	2.666
937	1.574	2.236
641	1.077	1.531
1.258	2.113	2.999
1.041	1.749	2.484
712	1.196	1.701
1.398	2.348	3.332

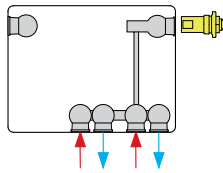
900		
10	20	30
261	431	607
178	294	414
351	580	816
325	538	758
222	368	517
439	725	1.020
391	646	909
267	441	620
526	869	1.223
456	754	1.061
311	515	724
614	1.014	1.427
522	862	1.212
356	588	827
702	1.159	1.631
586	970	1.364
400	662	931
789	1.304	1.835
652	1.078	1.516
444	736	1.034
877	1.449	2.039
717	1.185	1.667
489	809	1.138
965	1.594	2.243
782	1.293	1.819
533	883	1.241
1.052	1.739	2.447
913	1.509	2.122
622	1.030	1.448
1.228	2.029	2.855
1.043	1.724	2.425
711	1.177	1.655
1.403	2.318	3.262
1.173	1.940	2.728
800	1.324	1.862
1.579	2.608	3.670
1.303	2.155	3.032
889	1.471	2.068
1.754	2.898	4.078

CONNECTION POSSIBILITIES

HYGIENE ECO

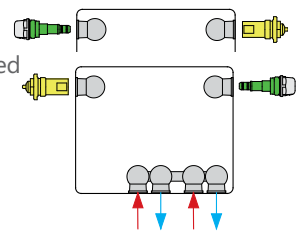
Type 10

Front of right handed radiator



Type 20 / 30

Front of right handed radiator



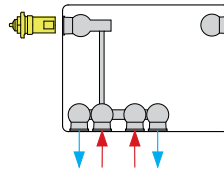
Important notice for ECO radiators:

The green ECO air vent is essential for the proper working of types 20 and 30 of the radiator and cannot be replaced by a traditional air vent as the radiator will keep on heating.

HYGIENE ECO (LEFT HANDED)

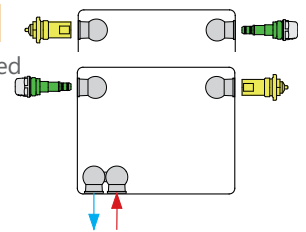
Type 10

Front of left handed radiator



Type 20 / 30

Front of right handed radiator



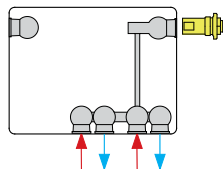
Important notice for ECO radiators:

The green ECO air vent is essential for the proper working of types 20 and 30 of the radiator and cannot be replaced by a traditional air vent as the radiator will keep on heating.

HYGIENE ECO GALVA

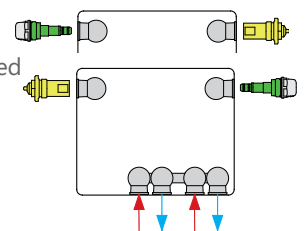
Type 10

Front of right handed radiator



Type 20 / 30

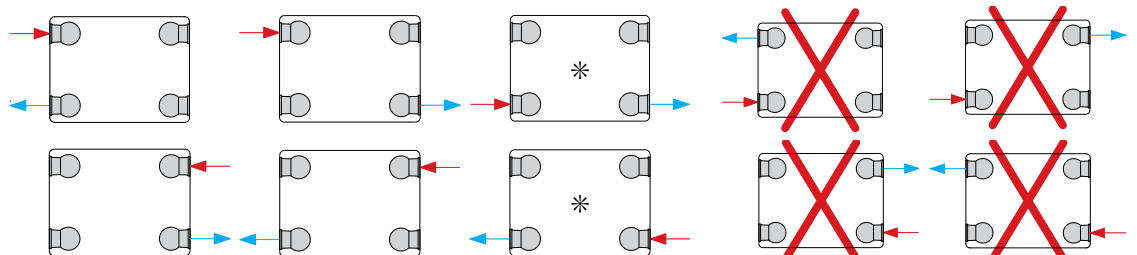
Front of right handed radiator



Important notice for ECO radiators:

The green ECO air vent is essential for the proper working of types 20 and 30 of the radiator and cannot be replaced by a traditional air vent as the radiator will keep on heating.

HYGIENE HYGIENE GALVA

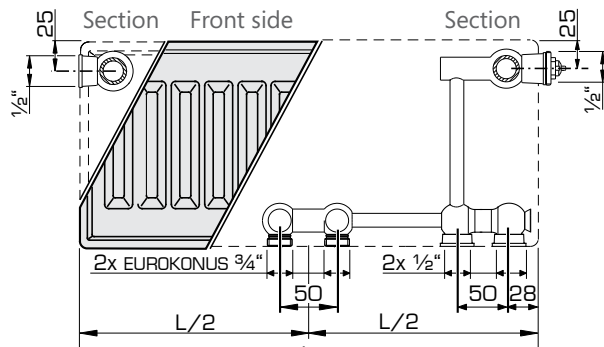


* = a reduction in heatoutput will occur when combining low temperature heating with a high temperature difference between inlet and outlet.

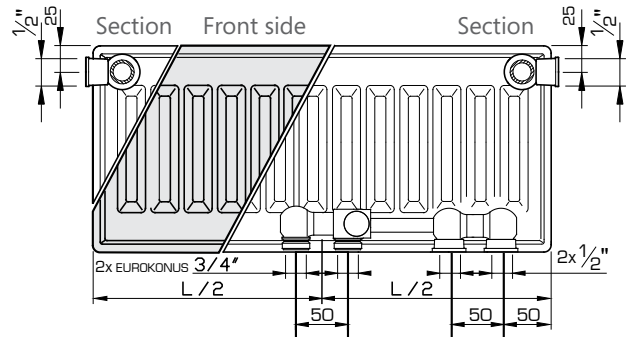
MOUNTING DIMENSIONS

HYGIENE ECO

Type 10 - Right handed

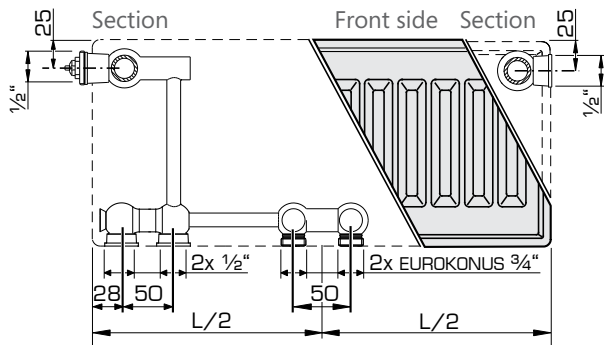


Type 20 / 30 - Right handed

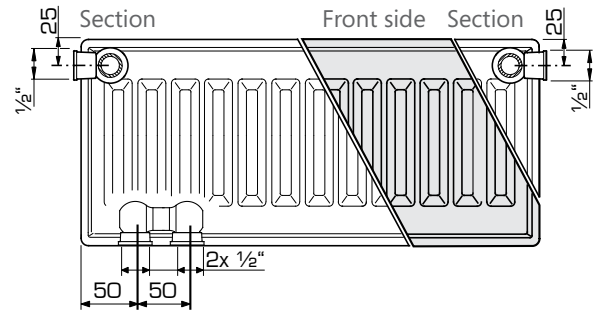


HYGIENE ECO (LEFT HANDED)

Type 10 - Left handed

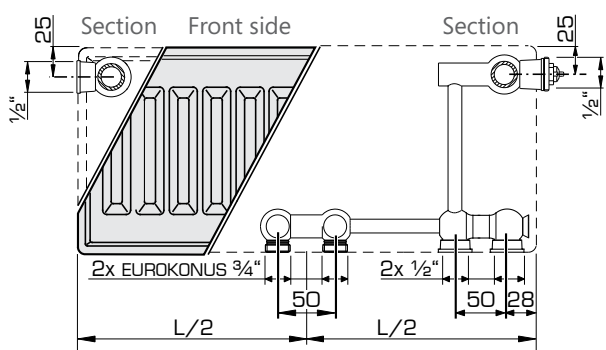


Type 20 / 30 - Left handed

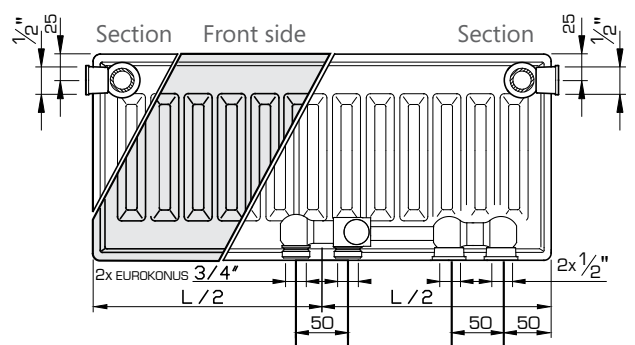


HYGIENE ECO GALVA

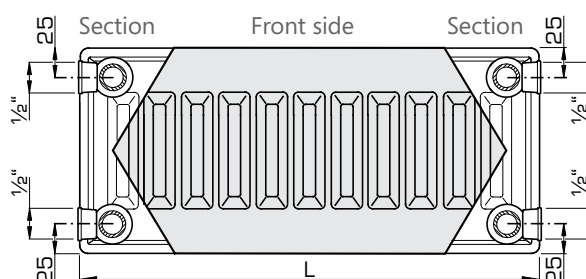
Type 10



Type 20 / 30



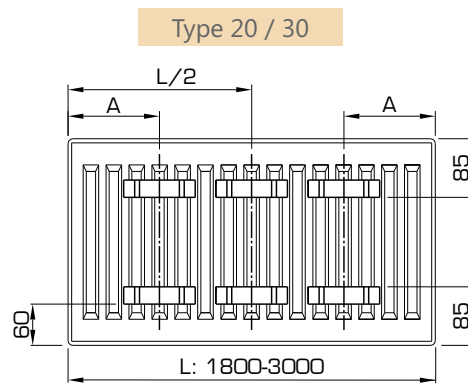
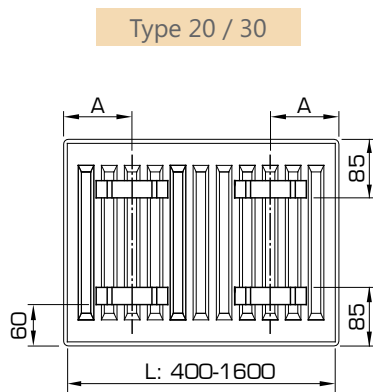
HYGIENE HYGIENE GALVA



LUG POSITIONS

HYGIENE ECO
HYGIENE ECO GALVA

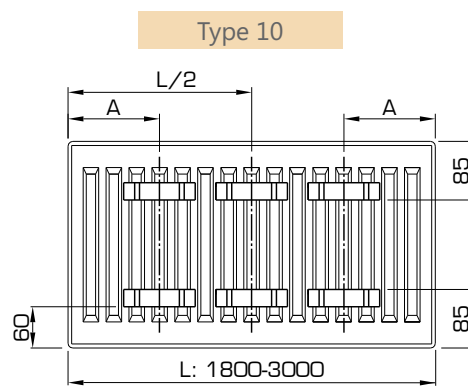
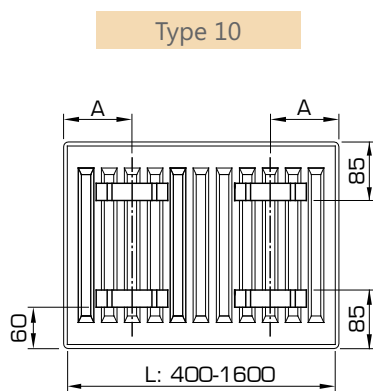
L	A
400-1600	133



L	A
1800-3000	133

HYGIENE ECO
HYGIENE ECO GALVA

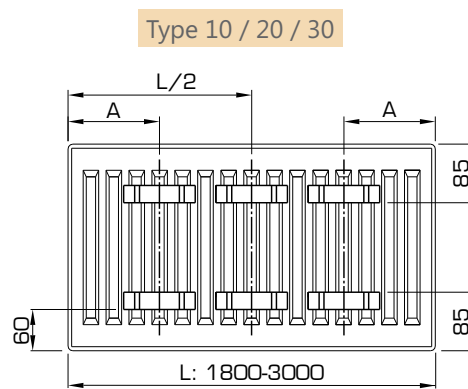
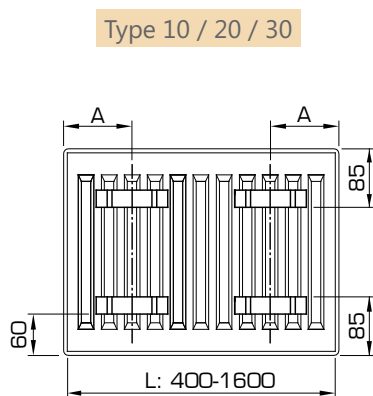
L	A
400	100
500-1100	167
1200-1600	267



L	A
1800-3000	267

HYGIENE
HYGIENE GALVA

L	A
400-1600	133



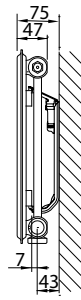
L	A
1800-3000	133

WALL-BRACKETS

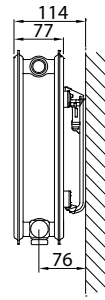
J-BRACKETS (MONCLAC, VDI 6036 - CLASS 3)

HYGIENE ECO
HYGIENE ECO GALVA

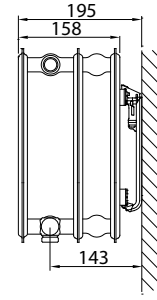
Type 10 ECO



Type 20 ECO

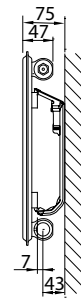


Type 30 ECO

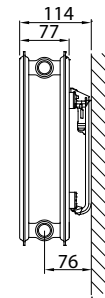


HYGIENE GALVA
HYGIENE

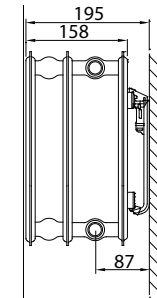
Type 10



Type 20



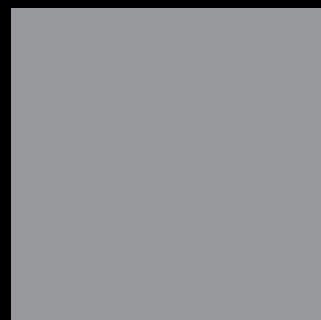
Type 30



Type 10			Art. N°.	Height	Types 11-33			Art. N°.	Height	
J-bracket VDI 6036 Class 2	x	y			J-bracket VDI 6036 Class 3	x	y			
<p>Radiator bottom</p>	/	130	R51120310	2 pcs.	mm	/	140	R509203	R509303	300
	115	230	R51120410		mm	103	240	R509204	R509304	400
	115	330	R51120510		mm	103	340	R509205	R509305	500
	115	430	R51120610		mm	103	440	R509206	R509306	600
	115	530	R51120710		mm	103	540	R509207	R509307	700
	115	730	R51120910		mm	103	740	R509209	R509309	900

For lengths above 1600 mm: 3 brackets needed.

Australia • Belgium • Cyprus • Czechia • France • Germany • Greece • Iceland • Lithuania
Luxembourg • Norway • Poland • Slovenia • Sweden • The Netherlands • Tunisia • Ukraine



HENRAD

Henrad nv
Welvaartstraat 14 box 6 • 2200 Herentals • Belgium

WWW.HENRAD.EU

