

## Maintenance and cleaning of Henrad radiators: highly recommended

In addition to a proper installation of Henrad radiators, regular maintenance and cleaning contribute to a long service life. We have listed a number of tips to help you carry out maintenance and cleaning and to extend the life of your radiator.

### Tip 1

The radiators must always be installed in accordance with our installation instructions.

### Tip 2

Have a thorough maintenance carried out on the heating installation at least once a year and have its functionality checked.

### Tip 3

To clean Henrad radiators, dismantle them according to the drawings below and reassemble them according to the illustrations.

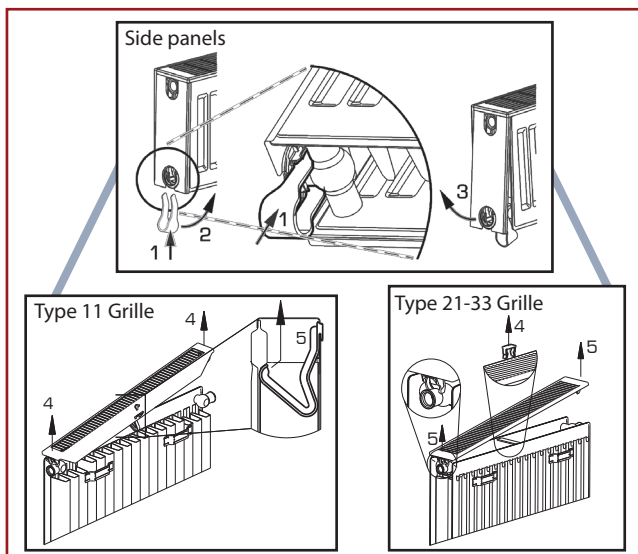


Side panels key  
Article number: T1105

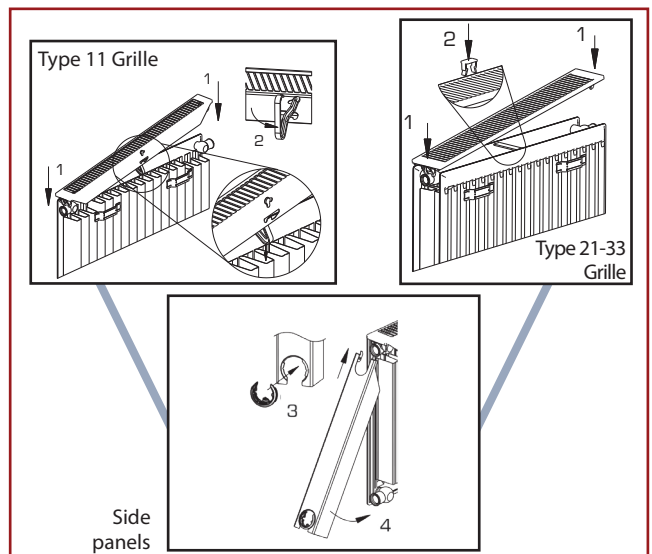
### Disassembly and assembly of grilles and side panels

Everest Plan VENTO · Compact VENTO · Compact All In · Everest Plan ECO (Type 11) · Everest Line ECO (Type 11) · Everest Plan 8 · Everest Line 8 · Everest Plan · Compact Plan · Compact Line · Everest Plan Plinth (D) · Everest Line Plinth (D) · Premium Plinth · Reno Plan · Reno · Premium 8 · Premium All In · Premium ECO (Type 11)

#### Disassembly



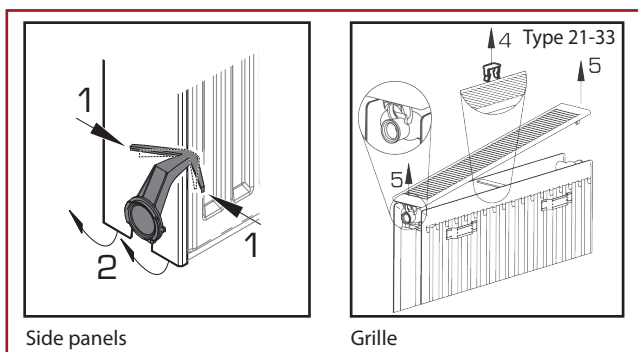
#### Assembly



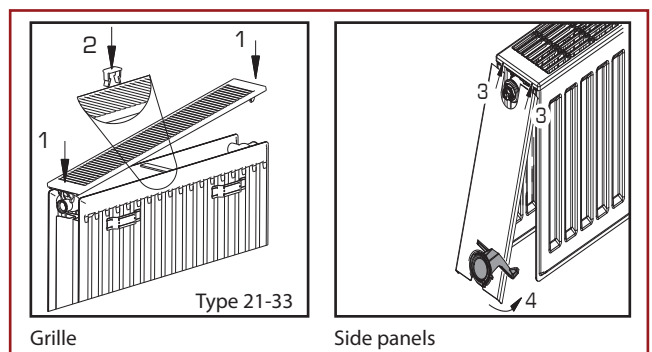
### Disassembly and assembly of grilles and side panels

Premium ECO (Type 21/22/33) · Everest Plan ECO (Type 21/22/33) · Everest Line ECO (Type 21/22/33)

#### Disassembly



#### Assembly



## Maintenance and cleaning of Henrad radiators: highly recommended

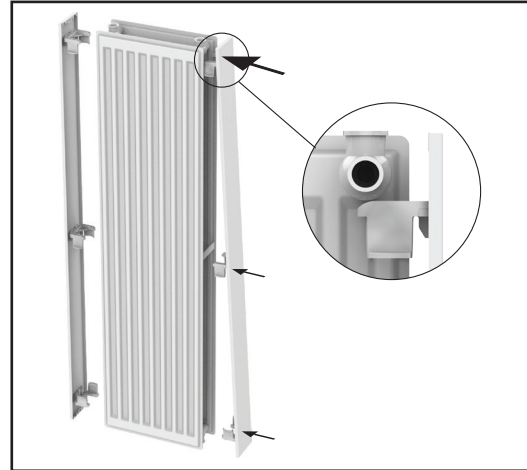
### Disassembly and assembly of side panels

Alto · Alto Plan · Alto Line · Vertical Galva

#### Disassembly



#### Assembly



#### Tip 4

If the paint on the radiators is dirty, clean it with a damp microfiber cloth.

ATTENTION: do not use solvents, acids or other corrosive substances to clean the radiator. These can seriously damage the paint, causing dull spots or rust formation.



#### Tip 5

In order for a radiator to function optimally, it is wise to regularly clean between the heating elements.

Clean radiators not only look nicer, they are also more energy efficient, because dust particles reduce the efficiency of heat emission. Dust can be removed with our flexible radiator brush.



Radiator brush  
Article number: T1131

#### Tip 6

If the paint has minor damage, these can be repaired with our matching paint pen or paint spray (for larger surfaces).



Paint spray  
(150 ml)  
Article number:  
T1110



Paint pen (12 ml)  
Article number:  
T1114 Henrad White  
T1116 coloured

The General Terms and Conditions of Sale apply to all our products.

Consult your installer if you have specific questions or if you want to order our special cleaning products.